

GOLF & SPORTS PORTFOLIO



JOHN DEERE

NOTHING RUNS LIKE A DEERE



CONTENTS

Golf is more than a game	4–5
Work. Done Well.	6–7
All-round Support	8–11
Features	12–15

WALK-BEHIND GREENS MOWERS

180E, 220E, 180SL, 220SL, 260SL	16–21
---------------------------------------	-------

RIDING GREENS MOWERS

2550 E-CUT, 2750 E-CUT, 2550, 2750	22–25
--	-------

FAIRWAY MOWERS

Features	26–27
6080A, 6500A, 6700A, 7500A, 7700A & 8700A	28–30
8900A	32–33
6080A E-CUT, 6500A E-CUT, 7500A E-CUT & 8000A E-CUT	34–35

ROUGH, TRIM & SURROUNDS MOWERS

Features	36–37
2653B, 7200A	38–39
7400A, 8800A	40–41
9009A	42–44

TERRAINCUT FRONT ROTARY MOWERS

1500 Series	46–47
1600T Series III	48–49

AERATORS

Aercore 800, 1000, 1500 & 2000	50–51
--------------------------------------	-------

BUNKER & FIELD RAKE

1200A, 1200H	52–55
--------------------	-------

WORK UTILITY VEHICLES

Gator TS	58–59
Gator TX & TX Turf	60–61
Gator TE	62–63
Gator TH 6x4	64–65
Gator HPX815E	66–67
ProGator	68–69
HD200 SelectSpray	70–71
HD200 GPS Precisionspray	72–73

COMPACT UTILITY TRACTORS

3E, 3R, 4M & 4R	74–75
-----------------------	-------

PRODUCT SPECIFICATIONS	76–91
-------------------------------------	-------



GOLF IS MORE THAN A GAME

It's a celebration of the same virtues that have defined our company ever since it was founded in 1837: precision, consistency and unwavering attention to detail. Since 1987, John Deere Golf has built a tradition of trust and excellence on golf courses all over the world.





Quinta do Lago,
Portugal

When you work where others play, you need a partner you can trust to keep your course in perfect condition. John Deere Golf can help – with top quality machines and support, forward-looking technology and our ongoing commitment to this incredible game.



Official Supplier to



Castiglion del Bosco,
Tuscany, Italy

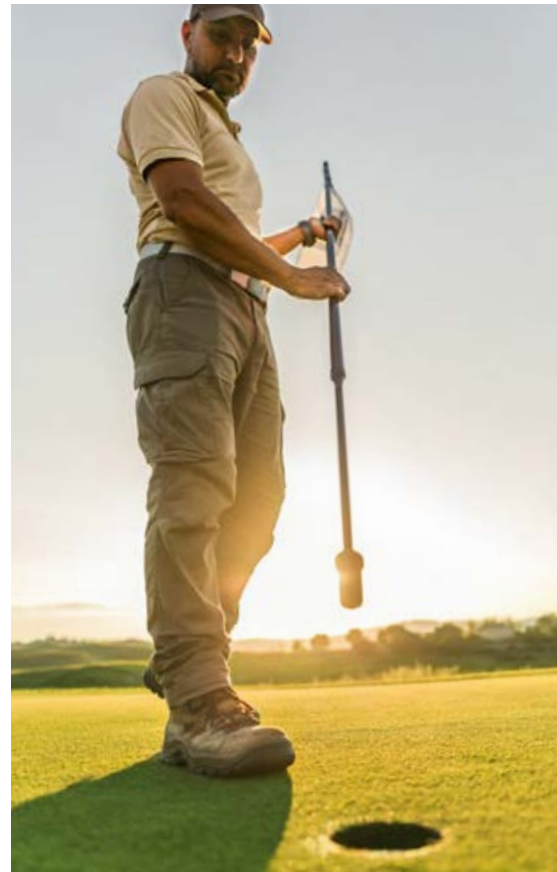


WORK DONE WELL.

Every day, you give the course your best. As a dedicated greenkeeper, you go the extra mile to deliver a championship finish from tee to green. Not just for the manager and the club members, but because you'd never settle for anything less yourself.

That same eye for detail also explains why you appreciate good tools and look after them well. Like any good craftsman, you know from experience that 'quality in' and 'quality out' really do go hand-in-hand.

If that sounds like you, you're in good company with John Deere. We take as much pride in the quality of our machines as the people who rely on them all over the world. Professionals like yourself, who understand the meaning of work done well.



Greenkeeper Dario Di Giuseppe
Castiglion del Bosco Tuscany, Italy



ALL-ROUND SUPPORT

From advice and sales to maintenance and repairs, your local John Deere partner has everything you need to keep your investment running like clockwork. Find your nearest John Deere dealer today at dealerlocator.deere.com





A GLOBAL COMMUNITY

The people at your local John Deere dealership are always there for you – with personal service you can rely on. As part of the John Deere community, they combine their own individual style with all the benefits of a strong global company.



TAILOR-MADE FINANCING

John Deere Financial has been helping customers grow their businesses for more than 150 years. Based on our unique understanding of your market and the challenges you face, we offer competitive, tailor-made financing for the machines you need to raise your game.

From hire purchase to leasing and rentals, your local John Deere dealer can help you choose the options that suit your business best. Why not drop in for a chat?



POWERGARD

STATUS: PROTECTED

When you protect your equipment with a PowerGard protection plan*, your business has the steady machine uptime and nonstop peak performance it needs to thrive.



PowerGard agreements protect you against unexpected repair costs and keep your maintenance on track with genuine parts. Three fixed rate packages provide increasingly comprehensive levels of cover to keep your machine running at peak performance with steady uptime.

POWERGARD PROTECTION PLAN

Preventative maintenance work – it's essential for keeping equipment in good working order based on factory recommended intervals.*

POWERGARD PROTECTION

Base level of protection that covers unusual events that can lead to costly repairs, and also covers the main drive train components.

POWERGARD PROTECTION PLUS

The ultimate in protection – the total peace of mind package that covers all components included in PowerGard Protection, plus electrical, cooling, hydraulics and more.

FINANCING

Include your PowerGard Protection agreements into your financing offer and benefit from competitive rates, with flexible payments.**

*At participating dealers only. Powergard Protection Plan requires a maintenance plan.
**At participating dealers only.



FACTS, NOT GUESSWORK

Ever wished you could X-ray your machine to see how it's doing inside? Expert Check is the next best thing: a thorough diagnosis of all key components (including sensors, electronics and software) using up-to-the-minute, field-based checklists and tools that are exclusive to John Deere dealers. The result is a detailed report stating exactly where your machine stands, as well as what needs doing and when.

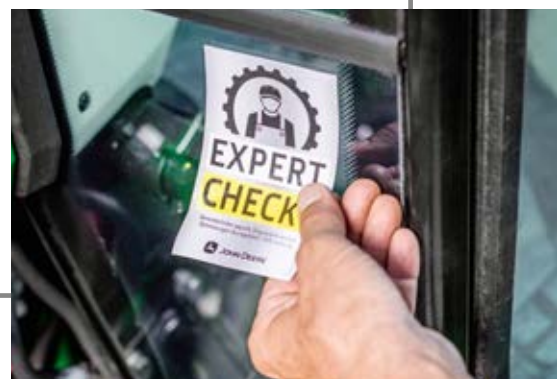
CLEAR PRICES

Based on this report, you can tell us exactly what work you want done. With transparent pricing and all-in packages for parts and labour, Expert Check takes the guesswork out of repairs and maintenance too.



ORIGINAL JOHN DEERE PARTS

Even John Deere machines need repairs eventually. When the day comes, our dealers pull out all the stops to maximise uptime and get them back on the job. With a state-of-the-art workshop and a fully-trained technical team on hand, they can provide professional support backed by the latest updates coming direct from the factory. For smaller repairs you'd rather do yourself, they can supply everything you need overnight – even for older models.



FEATURES

AT JOHN DEERE, INNOVATION RUNS IN THE FAMILY

As we drive into the future, we all experience changes. With these changes come opportunities that John Deere has always been ready and willing to embrace. Our innovation helps you be quicker, safer, smarter and more cost-effective. We are proud to lead you into the future.



ALL WHEEL GRIP

For sure-footed performance on hillsides or when climbing, our GRIP system transfers hydraulic flow instantly from wheels that slip to those with grip (on all A-series 4WD machines).

HYBRID TECHNOLOGY

E-HYBRID

Choose from the widest range of hybrids in the industry. They're powered by our proven E-Cut technology and backed by over a decade of experience on fairways and greens all over the world.

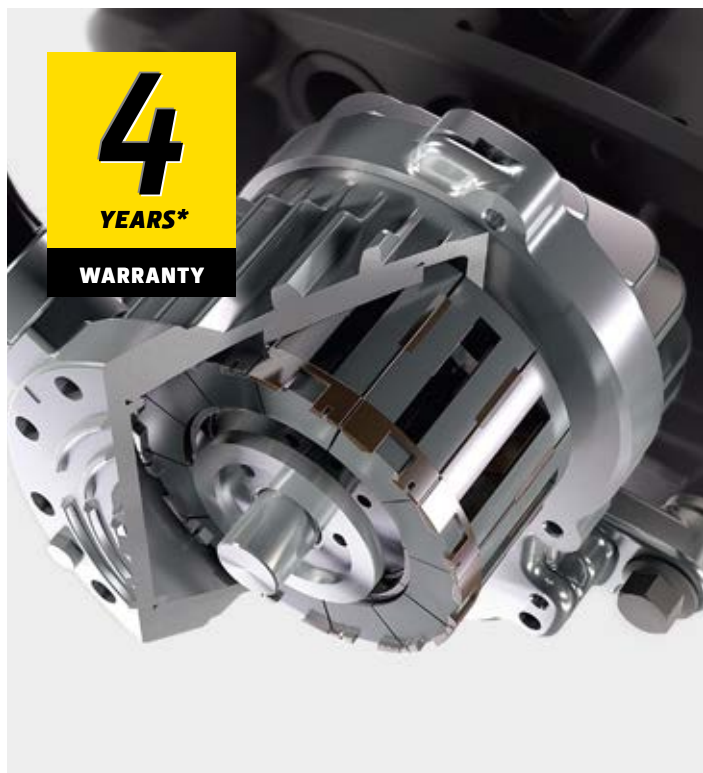
SUPERIOR CUT QUALITY

All our hybrids feature hardened reels and a special contour-hugging design – plus individual electric controllers for flawless appearance and consistency throughout the course.



A QUIET REVOLUTION

E-Cut mowers can run at reduced throttle, meaning potential savings on fuel costs as well as the benefit of reduced noise levels.



CUTTING OUT THE WORRIES

There's virtually no risk of a hydraulic oil leak from the reel circuit – and no overheating, since the controllers are separate from the motors.

* 4 year warranty on hybrid components. Terms & conditions apply. Contact your local dealer for further information.

REELS

SPEEDLINK

SpeedLink makes precision-adjusting the reels on a John Deere greens, trim or fairway mower quick and easy. This ingenious system lets you adjust the cutting height to both sides of the cutting unit at once.



HOW IT WORKS

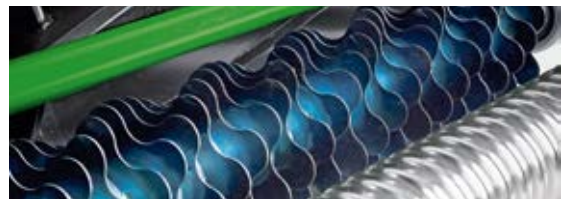
A linking bar connects both sides of the rear roller to a high-reduction ratio worm gear. All you need to make 1/1,000th of an inch adjustments is a cordless drill or a 16 mm spanner.



High Density Turf Brush: Help stand the grass plant up vertical prior to cutting and increase the appearance of the mower stripe on the green.



Rollers: Choose from a full range of spiral groove, continuous groove or solid options.



Fairway / Greens Tender Conditioner: Slices stolons, controls grain and ensures a truer playing surface.



Verticutter: De-thatches and slices rhizomes and stolons for more vigorous turf density.



Rear roller power brush: Stops grass clippings and other debris from accumulating on the rear roller.

INTERFACE AND HANDLING

TECHCONTROL

Available on all A Model Fairway, Rough and Trim and Surround Mowers, TechControl will change the way you and your team take care of your course.

SPEED SETTINGS

Mow Speed – Press the 'Hare' or 'Tortoise' icon buttons to set a higher or lower mow speed.

Turn Speed – Set a lower speed to reduce scuffing when the cutting units are raised and lowered between passes.

Transport Speed – Press the 'Hare' or 'Tortoise' icon buttons to set your operator's transport speed on paths.

LOADMATCH

If the cutting units or decks come under heavy load while mowing, the machine's traction speed will slow, allowing cutting units or decks to maintain cut quality.

FAST AND ACCURATE DIAGNOSTICS

Service Reminders – Technicians can set service timers to indicate when it's time to change hydraulic and engine oil.



DIAGNOSTIC TROUBLE CODES

Diagnostic Trouble Codes (DTCs) are now stored within the TechControl to aid the technician on the course. Technicians can preset service reminders on the machine as well.



BACKLAP

Backlapping for E-Cut Hybrids is now electronically engaged and controlled through the TechControl display.



I/O STATUS

The Input/Output status screens will display open and closed circuits, helping to pinpoint where an issue may be occurring.



WALK-BEHIND GREENS MOWERS

FEWER STEPS TO A PERFECT GREEN

The quality of your greens is one of the first things people notice. Our walk-behind greens mowers deliver a gentle, precise cut that players and crews find equally impressive – plus outstanding productivity for years on end.



14-blade cutting unit: The frequency of clip is determined by a combination of the reel speed, mowing speed and the number of blades on the reel. We offer a choice of 7, 11 & 14 blade units to meet your individual requirements.



DT rotary turf brush: Ensures more consistent turf engagement and enables the brush to stand up more grass.



SIMPLE OPERATOR CONTROL

Controls move forward to enable easy and efficient operation and an integrated operator presence bail allows the machine to automatically stop and disengage the reel when the bail is released. Loop-style handlebar enhances operator comfort.



SPEEDLINK



FAST, ACCURATE ADJUSTMENTS

Set your height-of-cut in half the time with Speedlink, our smart solution for busy professionals. Simply adjust one end of the roller and the other follows automatically, eliminating the risk of an uneven finish. The precision settings give you full control over your machine, and you can even use your power drill instead of a socket wrench. See page 14 for details.



E-CUT HYBRID

180E & 220E

These walk-behinds offer unrivalled contour following, all the benefits of electric reels – plus a choice of 18 or 22 inch cutting width on 180 and 220 E-Cut models.



CONSISTENT FREQUENCY OF CLIP

Electric reel drive means you always work at an ideal 2,200 rpm, even on gradients or when the engine load changes. And when you need to backlap, just press a button to reverse the reel direction – no need to remove a reel or fit a separate motor.



Adjustable contouring: The limit chains on the 180 E-Cut Greens Mower can be adjusted for a range of motion that can match the contours of any green.

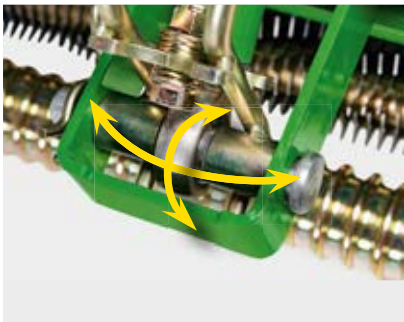


Adjustable Frequency Of Clip With Lockout: Frequency of clip can be adjusted with a simple dial, then mechanically locked to prevent further changes.



180E & 220E

2.6 kW (3.5 hp) at 3,600 rpm
Electric motor drive reel cutting unit
18 in or 22 in cutting widths
Standard reels, 11 blades, 5 in (127 mm)
Adjustable frequency of clip

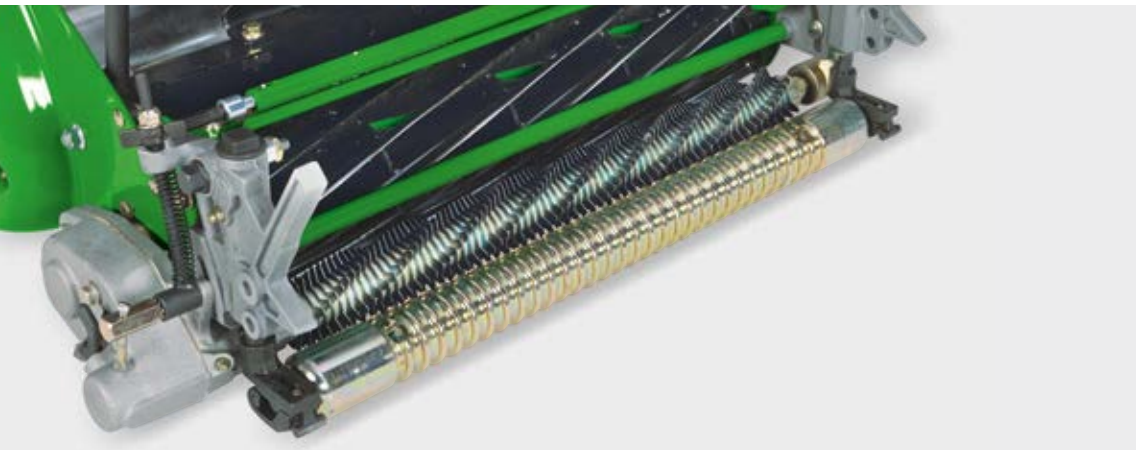


Signature Ball Joint: The ball-joint design and electric reel drive system allow maximum movement for excellent contour following.

SL PRECISIONCUT

180SL, 220SL & 260SL

Consistently smart – all of the SL PrecisionCut walk behind greens mowers feature a dual chain drive and forward mounted pivot point to minimise operator influence on front roller pressure and help deliver the most consistent cut possible.



GREENS TENDER CONDITIONER (GTC) AND ROTARY TURF BRUSH

These optional parts deliver the ultimate in cut quality and are easy to fit and adjust. They rotate counter to the reel and stand grass up prior to cutting. The result? A visible improvement in runner control, striping and grain.



Out-Front Push Brush*: This adjustable, top quality push brush stands grass up prior to cutting for a stronger stripe.

* Not for 260SL



22B Utility Trailer: The multi-angle ramp makes it easy to transport walk behind mowers to the next green.





SUPERIOR COLLECTION

The large direct-mounted grass catcher has an aerodynamic design for optimum air flow. This means what goes in, stays in.



180SL

2.6 kW (3.5 hp) at 3,600 rpm
18 in, 22 in or 26 in cutting widths
Standard reels, 11 blades, 5 in (127 mm)



220SL

2.6 kW (3.5 hp) at 3,600 rpm
18 in, 22 in or 26 in cutting widths
Standard reels, 11 blades, 5 in (127 mm)



260SL

2.6 kW (3.5 hp) at 3,600 rpm
18 in, 22 in or 26 in cutting widths
Standard reels, 11 blades, 5 in (127 mm)

RIDING GREENS MOWERS

2550 E-CUT, 2750 E-CUT,
2550 PRECISIONCUT & 2750 PRECISIONCUT

With their rugged tubular steel frames, low profile tyres and a wide footprint, our riding greens mowers go easy on your precious turf. The spacious operator stations and easy-access design take the pressure off operators and service techs too.



CATCH IT ALL

Depending on your course, choose either a grass catcher that optimises cut height consistency by moving around two-thirds of the weight to the lift arm, or an easy-access catcher that mounts directly on the frame (2500 models only).



EASY ACCESS

All grass boxes offer adjustable handle orientation and easy access, especially the centre one with its open platform frame. The asymmetric design improves collection performance. The hook is designed for easy removal but at the same time keeping the box in position while in transport. Available in black, or yellow for improved visibility (2750 models only).





FREQUENCY OF CLIP CONTROL

Combine TechControl Display with the industry's only frequency of clip control on hydraulic mowers and an unprecedented level of cut consistency is in your hands (2750 models only).

UNTING CONSISTENCY

Unlike batteries, the alternator keeps reels at a rock-steady 2,200 rpm for a superb cut all day long. Since the machine runs at a lower throttle than a non-hybrid, it cuts fuel bills and noise levels too – without compromising on cut quality (2550 E-CUT & 2750 E-CUT models only).



WORK SMARTER

Save up to 30% on fuel* and cut sound levels significantly by selecting 'Eco' mode in TechControl. 'Eco' mode calibrates power precisely to the job in hand (2750 models only).

*compared to 'max RPM' mode



EXCLUSIVE OFFSET DESIGN

The offset cutting units greatly reduce triplex ring with a simple change in direction (2550 models only).



TENDER LOVING CARE FOR YOUR GREENS

Our durable, gear-driven Greens Tender Conditioner slices stolons and controls grain for a truer playing surface and improved cutting height consistency. Our counter-weighted verticutter de-thatches, slices rhizomes and stolons and promotes more vigorous turf density.



SUPERB CONTOUR FOLLOWING

With 18 degrees of steering and 42 degrees of contour following, 2750 PrecisionCut and E-CUT Hybrid Triplex Mowers ensure an even cut even on undulating terrain.



LIGHTER ON GREENS

The unbeatably lightweight 2750 is specially designed to keep compaction to a minimum on your precious greens.



The Choice is Yours: Our 2550 and 2750 Series mowers both come in two versions: one fully hydraulic, the other with cutting units powered by electricity. While both versions share many of the same great features, the alternator-powered reels on our E-Cut models have additional benefits too. These include rock-steady reel speeds, quieter, more fuel-efficient operation – and almost no risk of hydraulic leaks.



Reduce Double Rolling: The tyres are located well inside the cutting units to reduce or eliminate double rolling during straight-line passes (2550 Series).



2550 E-CUT

14.6 kW (19.9 hp) at 3,000 rpm (Stage V)
Electric reel motors
62 in (157.5 cm) cutting width
3-QA5 22 in (55.9 cm) cutting units
Bedknife-to-reel adjustment
2-pedal hydrostatic transmission

– Optional: 3 wheel drive kit



2750 E-CUT

14.6 kW (19.6 hp) at 3,000 rpm
Electric reel motors
62 in (157.5 cm) cutting width
3-QA5 22 in (55.9 cm) cutting units
Bedknife-to-reel adjustment
2-pedal, electronic transmission

– Optional: 3 wheel drive kit



2550

14.6 kW (19.9 hp) at 3,000 rpm (Stage V)
Hydraulic reel motors
62 in (157.5 cm) cutting width
3-QA5 22 in (55.9 cm) cutting units
Bedknife-to-reel adjustment
2-pedal hydrostatic transmission

– Optional: 3 wheel drive kit



2750

14.6 kW (19.6 hp) at 3,000 rpm
Hydraulic reel motors
62 in (157.5 cm) cutting width
3-QA5 22 in (55.9 cm) cutting units
Bedknife-to-reel adjustment
2-pedal, electronic transmission

– Optional: 3 wheel drive kit



Balloon tyre: These rounded balloon tyres tread lightly and reduce sidewall deflection – for an exceptional finish with fewer tyre tracks.



Cutting units: Choose from 7, 11 & 14-blade units to fine-tune clip frequency, in combination with reel speed and mower speed.



Rollers: Available in 2 in (50 mm), 2.5 in (64 mm) and 3 in (76 mm) smooth, machine grooved with solid end caps or machine spiral rollers.

FAIRWAY MOWERS

RELIABLE AND CLEAN HIGH TECH

Whether conventional or hybrid, all our fairway mowers are designed for a premium cut and outstanding after-cut appearance. Thanks to the TechControl System, every operator can achieve a championship finish every time.

MORE PEACE OF MIND

The password-protected TechControl display puts operator control and consistency at your fingertips. You can preset the remarkable speeds for mowing and transport in seconds and even set turn speeds to minimise turf scuffing.

SMOOTHER PRODUCTIVITY

LoadMatch automatically adjusts the speed of the machine to keep power to the cutting units during heavy load conditions, maximising productivity and maintaining cut quality.

Power to spare: Our clean-burning engines pack plenty of power, right up to the mighty 4-cylinder diesel 8700A. All models above 18.3 kW (25 hp) come with either Stage IIIA or Stage V-compliant engines.

Precise steering: Holding a straight line is incredibly easy, thanks to a dual-action steering cylinder like the one we fit on our greens mowers.





WORK SMARTER

The eHYDRO transmission on our A-model ensures next-level performance, traction and comfort. Together with Cruise Control and Turn Speed Management, this intelligent system helps reduce fatigue and increase operator comfort – for smooth, consistent productivity even in challenging conditions. On versions with Stage 5 engines the light, responsive pedals also control engine RPM – for quieter, more fuel-efficient operation.



Hydraulic internal wet disc brakes: With no linkages and no adjustments, our A-model brake systems reduce routine maintenance significantly.

Flawless after-cut appearance: To minimise the risk of waves in the turf, we made the hydraulic down pressure adjustable and optimised the cutting unit attachment points. The front-to-rear tyre alignment ensures consistency across the mowing pass.

PRECISIONCUT

6080A, 6500A, 6700A,
7500A, 7700A & 8700A

With an A-model fairway mower, every operator can achieve a championship finish. Not just once, but every time. There are six different hydraulic models to choose from, so finding the right machine for your course couldn't be easier. All six come with great features like Speedlink, TechControl and Mow-Engine-Speed as standard – plus proven John Deere reliability and engineering.



A-SERIES FEATURES

The 6000A Series gives you all the benchmark features that make A-Series Fairway Mowers so successful. These include the TechControl Display with its password protected supervisor controls, and LoadMatch for improved cut quality.



3-WHEEL-DESIGN*

3 wheels mean less tyre marks – especially in our low PSI smooth tyre configuration with GRIP All-Wheel Drive Traction.

* 6000A series only



FEEL THE POWER

Steep slopes and tricky contours are no match for machines with internal wet disc brakes, upgraded traction and easy hop on/off operator access – plus a powerful 4-cylinder diesel engine on the 8700A & 8900A. Enjoy a great after-cut appearance every time you mow.

TAKE CONTROL

The outstanding TechControl Display takes operator consistency to a whole new level. Now you can preset speeds for mowing, turns and transport, lock in fuel savings, enter service reminders and get fast, accurate diagnostic feedback – all at the press of a button.



**ON ALL
PRECISIONCUT
MODELS**

SPEEDLINK

TECHCONTROL

**SPEED
SETTINGS**



6080A

18.6 kW (24.7 hp) at 3,000 rpm (Stage V)
5 QA5 cutting units 18 in (45.7 cm)
Total cutting width: 80 in (203 cm)
5 in (12.7 cm) diameter reel
Mowing speed: 0 – 10 km/h (0 – 6 mph)



6500A

18.6 kW (24.7 hp) at 3,000 rpm (Stage V)
5 QA5 cutting units 22 in (55.9 cm)
Total cutting width: 100 in (254 cm)
5 in (12.7 cm) diameter reel
Mowing speed: 0 – 10 km/h (0 – 6 mph)



6700A

18.6 kW (24.7 hp) at 3,000 rpm (Stage V)
5 QA7 cutting units 22 in (55.9 cm)
Total cutting width: 100 in (254 cm)
7 in (17.8 cm) diameter reel
Mowing speed: 0 – 10 km/h (0 – 6 mph)



7500A

27.3 kW (37.1 hp) at 2,600 rpm (Stage III A) / 31 kW (42.1 hp) at 2,800 rpm (Stage V)
5 QA5 cutting units 22 in (55.9 cm)
Total cutting width: 100 in (254 cm)
5 in (12.7 cm) diameter reel
Mowing speed: 0 – 12.8 km/h (0 – 8 mph)



7700A

27.3 kW (37.1 hp) at 2,600 rpm (Stage III A) / 42.1 kW (31 hp) at 2,800 rpm (Stage V)
5 QA7 cutting units 22 in (55.9 cm)
Total cutting width: 100 in (254 cm)
7 in (17.8 cm) diameter reel
Mowing speed: 0 – 12.8 km/h (0 – 8 mph)



8700A

36.2 kW (49.2 hp) at 2,600 rpm (Stage III A) / 41.1 kW (55.9 hp) at 2,800 rpm (Stage V)
5 QA7 cutting units 22 in (55.9 cm)
Total cutting width: 100 in (254 cm)
7 in (17.8 cm) diameter reel
Mowing speed: 0 – 12.8 km/h (0 – 8 mph)



***“WITH JOHN DEERE
IT’S NOT A ONE
TIME PURCHASE,
IT’S A REAL
PARTNERSHIP. THEY
KNOW GOLF, AND
THEY’RE WITH YOU
ALL THE WAY.”***

PIETRO BINAGHI

**WORK
DONE WELL.**



Pietro Binaghi is The Club’s Superintendent at Castiglion del Bosco, located in the heart of Tuscany. He’s delighted with his latest machines, a 7500A Fairway Mower and a 9009A TerrainCut Rotary Mower. “Nutrient, materials, machinery ... you always try to get better over the years,” he smiles. “Otherwise you’d go backwards.” ■



PRECISIONCUT

8900A

For next-level productivity, choose the lightweight 8900A. It has a 130 in (3.3 m) maximum mowing width, even more traction and larger reel motors for maximum capacity – plus great time-saving features like TechControl and SpeedLink.



FEEL THE POWER

Steep slopes and tricky contours are no match for machines with internal wet disc brakes, upgraded traction and easy hop on/off operator access – plus a powerful 4-cylinder diesel engine on the 8700A & 8900A. Enjoy a great after-cut appearance every time you mow.

ENHANCED CUTTING UNITS

Boost your productivity: the 26" or 30" cutting units hug contours closely for the premium finish you demand.





8900A

36.7 kW (49.2 hp) at 2,600 rpm (Stage III A) /
41.1 kW (55.9 hp) at 2,800 rpm (Stage V)

5-QA7 26 in (66 cm) or
30 in (76 cm) cutting units

Total cutting width: 130 in (3.3 m) or
114 in (2.9 m)

7 in (17.8 cm) diameter reel

Mowing speed:
0 – 12.8 km/h (0 – 8 mph)

HIGH CAPACITY PERFORMANCE

With its larger cutting units, the 8900A combines high mowing speeds with high cut quality and even clipping disposal. The 4WD system ensures good hill climbing too – ideal for those challenging spots around the course!

SPEEDLINK

TECHCONTROL

SPEED SETTINGS

E-CUT HYBRID

6080A E-CUT, 6500A E-CUT, 7500A E-CUT & 8000A E-CUT

With their proven technology and advanced features, these E-CUT models tick all the boxes for courses that are thinking of moving to hybrid.



ADVANCED AND REASSURING

Our proven E-CUT Hybrid models have maintenance-free electric reel drive motors powered by a 48V, 180 amp alternator – no extra batteries required. They're quieter, more fuel efficient, and feature advanced onboard visual diagnostics for less downtime and greater peace of mind. And with no hydraulic lines to the cutting units, there's almost no risk of leakage. Rock-steady reel speeds keep cut quality consistent, while lower throttle settings mean lower fuel bills.



6080A E-CUT

18.6 kW (24.7 hp) at 3,000 rpm (Stage V)
5 QA5 cutting units 18 in (45.7 cm)
Total cutting width: 80 in (203 cm)
5 in (12.7 cm) diameter reel
Mowing speed: 0 – 10 km/h (0 – 6 mph)



6500A E-CUT

18.6 kW (24.7 hp) at 3,000 rpm (Stage V)
5 QA5 cutting units 22 in (55.9 cm)
Total cutting width: 100 in (254 cm)
5 in (12.7 cm) diameter reel
Mowing speed: 0 – 10 km/h (0 – 6 mph)





NIMBLE

With an 80 in (203 cm) cutting width and just three tyres, the 8000A E-Cut leaves fairways looking almost like greens. The cleaner, more powerful engine matches the standard eHydro transmission perfectly.



7500A E-CUT

27.3 kW (37.1 hp) at 2,600 rpm (Stage III A) /
31 kW (42.1 hp) at 2,800 rpm (Stage V)

5-QA5 22 in (55.9 cm) cutting units

Total cutting width: 100 in (254 cm)

Mowing speed:
0–12.8 km/h (0–8 mph)



8000A E-CUT

27.3 kW (37.1 hp) at 2,600 rpm (Stage III A) /
31 kW (42.1 hp) at 2,800 rpm (Stage V)

5-QA5 18 in (45.7 cm) cutting units

Total cutting width: 80 in (203 cm)

Mowing speed:
0–10 km/h (0–6 mph)

ON ALL E-CUT HYBRID MODELS

- Electric reel drive cutting units powered by a 48 volt alternator
- 5 QA5 cutting units with 5 in (12.7 cm) diameter reel

E-HYBRID

SPEEDLINK

TECHCONTROL

**MOW-ENGINE-
SPEED**

ROUGH, TRIM & SURROUNDS MOWERS

ACCURACY HAS NEVER BEEN SO EASY – OR SO QUIET

Mowing tree lines, bunker edges and surrounds is easy with our precision rotary mowers. They power through the rough effortlessly, yet are agile enough for up-close trimming too – and surprisingly quiet.

MORE CONTROL

The TechControl system takes operator consistency to a whole new level. You can set the exact speeds for mowing, turns and transport in seconds and even lock in fuel savings. TechControl also provides fast, accurate diagnostics for maximum uptime.



EASIER OPERATION

The AutoPedal system is not just comfortable to operate. It saves fuel and cuts noise levels too, because the pedals control the engine rpm.





BETTER FINISH

The rollers ensure a perfect after-cut appearance and come with brushes that maintain your exact cutting height by stopping build-up from grass clippings.



TOUGH AND DURABLE

We stamp these rotary decks from 10-gauge steel, then mount them in a rigid frame with rollers fore and aft for added protection. The decks perform exceptionally well across a wide range of grass types, including warm and cool season grasses. No tools are required for height-of-cut adjustments.



PRECISIONCUT REEL

2653B & 7200A

For a premium cylinder-cut finish, choose either the 2653B or the 7200A. Both are easy to service and both are engineered for performance, reliability and ease of use. The 7200A gives you even more power, and has a toggle switch for on-the-go cutting width adjustments.



Easy Maintenance: For routine maintenance, the 26 in (66 cm) and 30 in (76 cm) cutting units roll on and off the mounting arms quickly and easily.

WIDTH ON DEMAND SYSTEM

The width-on-demand system (7200A) enables operators to change cutting width while the cutting units are on the ground. Simply toggle the width-on-demand switch on the operator command arm forward to increase the cutting width to 72 in (183 cm, with 26 in cutting unit) or 84 in (213 cm, with 30 in cutting unit), or toggle backward to reduce the cutting width to 68 in (173 cm, with 26 in cutting unit) or 80 in (203 cm, with 30 in cutting unit).

This maximises output by offering a range of widths to best suit the terrain, making you extra productive on big jobs like soccer fields. And with the mower deck set on one side of these nimble machines, you have supreme flexibility when making tight turns around obstacles and trees.

Standard QA7 cutting units: Choose either a 5 or 8-blade configuration and a width of 26 or 30 in. The SpeedLink feature saves time by adjusting the cutting height to both sides of the roller at once.

Reach Trimming System (7200A): Trim round bunkers with ease by extending the front left or front right cutting unit beyond the outside tyre edge as much as 14 in (36.56 cm) on the 26 in (66.04 cm) QA7, or 20 in (50.80 cm) on the 30 in (76.20 cm) QA7.

Premium operator comfort (7200A): Highlights include a wide operator platform, foot-operated tilt steering system, CommandARM controls and a comfortable suspension seat.





Stable design (2653B): A low centre of gravity with a wide 55 in (140 cm) wheelbase ensure comfortable and safe operation even in adverse mowing conditions.



2653B

14.6 kW (19.6 hp) at 3,000 rpm (Stage V)

7 in (17.8 cm) diameter reel

3 × QA7 26 in (66 cm) or QA7 30 in (76 cm)

Dedicated mowing width:
72 in (183 cm) with 26 in QA7 cutting unit;
84 in (213 cm) with 30 in QA7 cutting unit

Mowing speed:
0 – 8 km/h (0 – 5 mph)



7200A

18.4 kW (24.7 hp) at 3,000 rpm (Stage V)

3 × QA7 26 in (66 cm) or QA7 30 in (76 cm)

7 in (17.8 cm) diameter reel

Width on demand cut:
68 in (173 cm) – 72 in (183 cm)
with 26 in QA7 cutting unit;
80 in (203 cm) – 84 in (213 cm)
with 30 in QA7 cutting unit

Mowing speed:
0 – 10 km/h (0 – 6 mph)

ON ALL PRECISIONCUT REEL MODELS

GRIP
all-Wheel drive

SPEEDLINK

TECHCONTROL

TERRAINCUT ROTARY

7400A & 8800A

These agile rotary mowers offer the perfect blend of power and agility. Highlights include quick adjustment mowing height and our incredible TechControl display; see pages 18 and 19 for details.



WIDTH-ON-DEMAND SYSTEM (7400A)

Featuring both a 68 in (172.7 cm) and 74 in (188 cm) cutting width option that can be changed with the touch of a button. From narrow undulating terrain to wider terrain where cutting unit overlap maximises cut quality by eliminating uncut strips of grass.

ENHANCED MOWER DECKS (8800A)

The 21 in (53.3 cm) rotary decks ensure superior contour following and cut quality and are made of 10-gauge steel. The front and rear rollers direct the force from any obstacles you encounter through the frame, not the deck shell.



PERFECT CONTOUR FOLLOWING

The combination of a larger deck circuit pump, lost-motion lift cylinders, a double yoke pivot design and high-torque deck motors provides a consistent and clean quality of cut. This system stands the grass to provide outstanding cut quality and optimum clipping dispersal with the rear-discharge system.



Easy service access: For ease of service, all daily engine checks are easily accessible by raising the bonnet. These service points include an engine-oil level check, a coolant level check, hydraulic fluid level and an air-restriction indicator.

Premium operator comfort: The easy-entry/exit operator station features foot-operated tilt steering, stress-free eHydro foot pedals and a deluxe suspension seat for all-day productivity.

Loadmatch: The LoadMatch feature compensates the traction speed of the machine to keep power to the cutting units, by sensing the machine operation. Once the load is reduced, the machine will return to the normal mowing speed.

Power to go (8800A): An efficient 36.7 kW (49.2 hp) Turbo Charged, 4-cylinder diesel engine with an intercooler generates power efficiently to tackle challenging conditions.



7400A

27.3 kW (37.1 hp) at 2,600 rpm (Stage III A) / 31 kW (42.1 hp) at 2,800 rpm (Stage V)
3 × 27 in (68 cm) rotary decks
Width on demand cut: 68 in (173 cm) or 74 in (188 cm)
Mowing speed: 0 – 10 km/h (0 – 6 mph)



8800A

36.2 kW (49.2 hp) at 2,600 rpm (Stage III A) / 41.1 kW (55.9 hp) at 2,800 rpm (Stage V)
5 × 21 in (53.3 cm) rotary decks
Total cutting width: 88 in (223 cm)
Mowing speed: 0 – 12.8 km/h (0 – 8 mph)

**ON ALL
TERRAINCUT
ROTARY MODELS**

GRIP
all-Wheel drive

TECHCONTROL

TERRAINCUT

9009A

With a wider cut width, proven technology and advanced features, the 9009A delivers even more uptime, performance and cost effectiveness in challenging rough conditions.



SMOOTH OPERATION

The eHydro transmission has light, responsive pedals for less fatigue and enhanced operator comfort. Together with cruise control and turn speed management, it creates an intelligent operating machine.

The hydrostatic pump and large capacity wheel motors reduce maintenance and deliver serious hill-climbing capabilities. This combines with the standard GRIP system, which reduces wheel slip by sending flow from the front wheel to the opposite rear wheel.

ALWAYS ON THE GO

With advanced onboard diagnostics, fast, tool-free height of cut adjustment and our legendary build quality, the 9009A is designed for maximum uptime.





ENHANCED MOWER DECKS

With their special double-action yoke, the five 27 in (68.6 cm) rotary decks hug contours closely for a premium finish every time. The decks are made of 10-gauge steel with a rear roller for perfect finishing.



Set mow, transport and turn speeds: Only John Deere machines let you set turn speeds to minimise scuffing between passes. The password-protected TechControl lets you set mow and transport speeds too, ensuring top quality results (and peace of mind) no matter who's on the machine.

Easy height of cut adjustment: You don't need tools to adjust the height of cut. Just move a lever to the setting you need and you're ready to go. Compared with other systems, "Height Of Cut" change times are 25% faster – for higher productivity and lower operating costs.



HIGH CAPACITY PERFORMANCE

Even at high speeds, the deep mower decks ensure a quality cut and even clipping disposal. The 4WD system climbs hills well and reduces uncult stripes during hillside mowing.

EASY SET UP

Thanks to intelligent features like TechControl and the eHydro transmission, you'll spend less time adjusting your machine manually when course or weather conditions change.



9009A

41.1 kW (55.9 hp) at 2,800 rpm (Stage V)
Total cutting width: 108 in (274 cm)
Mowing speed: 0 – 12.8 km/h (0 – 8 mph)
2-pedal hydrostatic transmission

TECHCONTROL





**“CONSISTENCY
AND PRECISION
ARE AS
IMPORTANT IN
HERE AS THEY
ARE ON THE
GREENS.”**

JAIR ADILSON LIMA LOPES

**WORK
DONE WELL.**

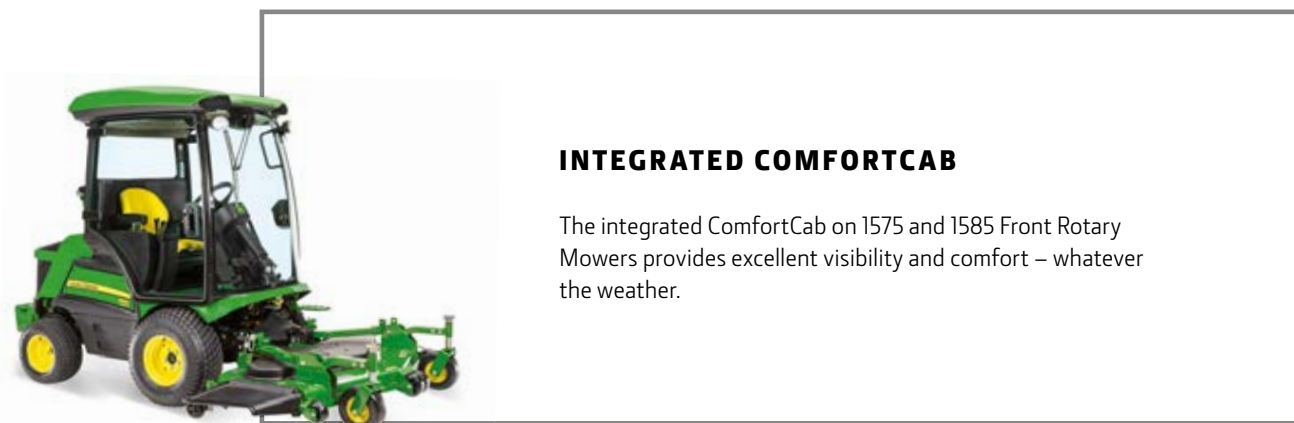


As the club mechanic at Quinta do Lago, Portugal, Jair Adilson Lima Lopes works hand-in-hand with his John Deere dealer to keep the fleet running like clockwork. “He knows every machine we have and delivers everything I need really fast.” ■

TERRAINCUT FRONT ROTARY MOWERS

1500 SERIES

With the out front rough mower, you can work quickly without cutting corners in terms of quality. The mower decks are specially designed for high capacity work and the high torque diesel engine can power through thick, wet grass all day long. The ergonomic operator station keeps you fresh and focused – and thanks to the outstanding build quality, you and your operators can look forward to years of high speed, top quality performance.



INTEGRATED COMFORTCAB

The integrated ComfortCab on 1575 and 1585 Front Rotary Mowers provides excellent visibility and comfort – whatever the weather.

MOWER DECKS

	60 SIDE DISCHARGE	72 SIDE DISCHARGE	62 REAR DISCHARGE	72 REAR DISCHARGE	60 SIDE DISCHARGE FOR USE WITH GLC1500 COLLECTOR	72 SIDE DISCHARGE FOR USE WITH GLC1500 COLLECTOR
FITS	1550, 1570, 1575, 1580, 1585	1550, 1570, 1575, 1580, 1585	1550, 1570, 1575, 1580, 1585	1550, 1570, 1575, 1580, 1585	1570, 1580, 1585	1570, 1580, 1585
Cutting Width, in (cm)	60 (153)	72 (183)	62 (158)	72 (183)	60 (153)	72 (183)
Cutting Height, in (cm)	1–6 (2.54–15.24)	1–6 (2.54–15.24)	1–6 (2.54–15.24)	1–6 (2.54–15.24)	1–6 (2.54–15.24)	1–6 (2.54–15.24)
Gearbox Design	L-Type	L-Type	L-Type	L-Type	T-Type	T-Type
Mulch Kit Available	Yes	Yes	Yes	Yes	Yes	Yes



BETTER COOLING

The rear-mounted radiator keeps noise away from the operator and makes the mower easy to service.

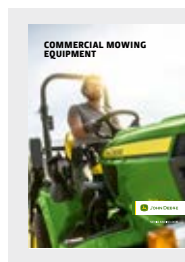


GLC1500 COLLECTOR

A powerful collection system with either a 600 litre or 900 litre capacity and standard with hydraulic tip for easy use.

1550 / 1570 / 1575 / 1580 / 1585

17.8 kW (24.2 hp) – 27.5 kW (37.4 hp) at 3,000 rpm (Stage V)
22.7 kW (30.9 hp) – 28.1 kW (38.2 hp) at 2,800 rpm (Stage III A) (not for 1550)
Hydrostatic 4WD
1550 / 1570 / 1575, Operating speed, single speed transmission: 0 – 19.3 km/h (0 – 12 mph)
1580 / 1585, Operating speed, dual speed transmission: 0 – 24.1 km/h (0 – 15 mph)
Power Steering

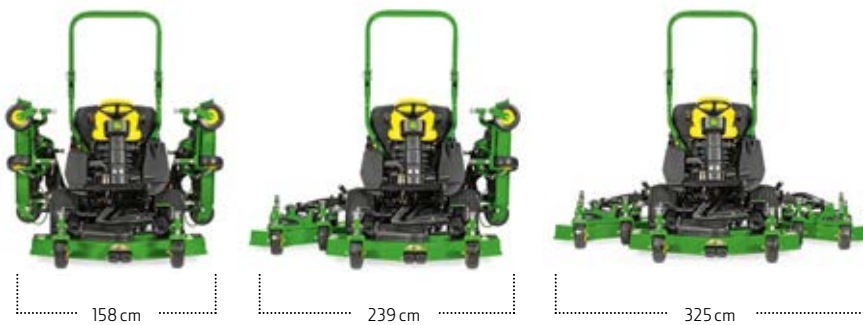


Ask your dealer for the "Commercial Mowing Equipment" brochure today – or download it from JohnDeere.com

WIDE-AREA ROTARY MOWERS

1600T SERIES III

With its outstanding traction and a cutting width of up to 325 cm, this high-torque diesel can cover an amazing 8.5 acres (3.4 ha) per hour. The 1600T Series III masters slopes with ease, and delivers a premium cut even in the thickest grass.



FLEXIBLE PRODUCTIVITY

To mow narrow lanes, use either one wing and the centre deck or the centre deck alone. The optional tricycler mulching kit adds even more flexibility.



TERRIFIC TRACTION ON SLOPES

The 1600T Series III offers a choice between on-demand or full-time 4-wheel drive. Differential lock comes as standard with this model. The wing decks can mow at a 45 degree upward angle and a 20 degree downward angle to maintain a flawless cut.



HIGH-PERFORMANCE ENGINE

The 44 kW (60 hp) 4 cylinder 16 valve turbocharged direct inject diesel engine provides plenty of power and torque to give superior performance. It also benefits from isolated mounting to minimise vibration exposure.





LARGE AREA MOWING MADE EASY

The ergonomic controls and fully adjustable air suspended seat keep operators fresh and focused all day long.



DURABLE DECK DESIGN AND ADVANCED IMPACT ABSORPTION SYSTEM

Decks are fabricated from 7-gauge steel with additional 19 mm protection bar as well as isolated deck motors to reduce vibration and the wing decks move backwards and inwards to avoid damage from obstacles.



1600T SERIES III

44 kW (60 hp) at 3,000 rpm (Stage V)
Hydrostatic, wheel motors
Operating speed: 0 – 23 km/h (0 – 14.4 mph)
Differential Lock

WALK BEHIND & MOUNTED AERATORS

AERCORE 800, 1000, 1500 & 2000

On large greens and tees, choose a walk-behind Aercore Aerator 800 for outstanding hole quality and versatility. For consistent hole quality and productivity, hook up an Aercore 1000, 1500 and 2000 – and punch up to 2 million holes per hour.



HOLE QUALITY

Thanks to the Aercore 800's electro-hydraulic system, the coring head lifts and lowers twice as fast and follows contours and undulations automatically. The narrow coring width (31.5 in/80 cm) promotes consistent hole depth on undulating greens. The 25 hp Kohler engine runs slower during entry and exit for even cleaner results.

Tight Turns: The mechanical transmission and differential make inner/outer wheel speeds independent.



TD100 TOPDRESSER

The TD100 makes topdressing easy and precise. Rated capacity: 680 kg (1,500 lb); spread width: 56 in (142 cm).



VERSATILE VERTICUTTER

The optional verticutter attachment has carbide-tipped blades and lets you aerate, verticut... or do both at once.



AERCORE 800

18.6 kW (25 hp) at 3,600 rpm
Coring Width: 31.5 in (80 cm)
Coring Depth max.: 3.5 in (8.89 cm)
Dual v-belt drive





PRODUCTIVITY

Punch up to 1.2 million top quality holes an hour with an Aercore Aerator 1000, 1500 or 2000.

The durable Belt-drive design and sealed bearings ensure years of quiet, fuss-free service.

ON ALL MOUNTED AERATOR MODELS

- Flexi-link coring system
- Up to 4 in (100 mm) coring depth



AERCORE 1000

Requires minimum 15 PTO hp

37.5 in (101.6 cm) coring width



AERCORE 1500

Requires minimum 22 PTO hp

57.5 in (152.4 cm) coring width



AERCORE 2000

Requires minimum 33 PTO hp

77.5 in (190.6 cm) coring width

BUNKER & FIELD RAKE

1200A & 1200H HYDRO

We offer not one, but two ways to put a pristine finish on your bunkers. Our gear-driven 1200A is the benchmark for all other bunker and field rakes. Prefer a hydrostatic machine? Our 1200 Hydro has pulling and pushing power to spare.



GRIP ON DEMAND

Need more traction on that fine sand? Just press your left heel down to lock the differential.



SMOOTH FINISH

This 72 in rear-mount rake is easy to attach and detach. The 3-way flotation hugs ground contours closely for a well-groomed finish.





STORAGE SPACE

Store clothing, snacks and more in a handy rear basket.



SEE IT ALL

Instruments and controls are positioned for easy reach and visibility.





EASY TO OPERATE

On the 1200A, you select forward or reverse with your left foot and apply the transaxle disc brake with your right foot. Both pedals are conveniently mounted on the foot platforms, so there's no need to stretch or look down.

QUIET AND COMFORTABLE

The nimble, powerful 1200A has the same proven drive train as our popular T-Series Gators. The engine is fully soundproofed, and the adjustable high-back seat and standard rear rake power lift make operation easy.

Spreading made simple (1200A): The 40 inch hand-controlled front blade is engineered for years of service.

Smooth and steady (1200H): The foot-pedal operated hydrostatic transmission keeps operators comfortable all day.

ATTACHMENTS	1200A	1200H
RAKE	Rear mount, power-lift control	Rear mount, hydraulic control
Width, in (mm)	78 (1,981)	72 (1,830)
Blades	Five-section, bunker or field	Five-section, bunker
Prong rake in (mm)	Three-section, 24 prongs 1 to 3 (25 to 76) adjustment 10 blades, hand control with 5-position depth adjustment	Three-section, 24 prongs 1 to 3 (25 to 76) adjustment 10 blades, hand control with 5-position depth adjustment
CULTIVATOR	mid mounted, 10 blades, hand control w 5 position depth adjustment	mid mount, hydraulic control
Width, in (mm)	64 (1,626)	60 in (1,520)
FRONT BLADE	Optional, hand control with lock-up position	Optional, hand control with lock-up position
Width, in (mm)	40 (1,016)	40 (1,016)
Height, in (mm)	6 (152)	6 (152)
ALUMINIUM FRONT BLADE		N/A
Width, in (mm)	60 (1,524)	–
Height, in (mm)	10.25 (263)	–

ATTACHMENTS	1200A	1200H
WIDE AND NARROW INTERVAL SCARIFIER TINES ATTACHMENT		
Width, in (mm)	Wide – 63.25 (1,606); Narrow – 62 (1,574.8)	Wide – n/a Narrow – 62 (1,574.8)
Tines, in (mm)	Wide – 20 tines, 3.5 (89) long; Narrow – 35 tines, 3.5 (89) long	Wide – n/a Narrow – 35 tines, 3.5 (89) long
MID-MOUNT SCRAPER BLADE ATTACHMENT		N/A
Width, in (mm)	64.5 (1,649)	–
Height, in (mm)	5.625 (144)	–
REAR-MOUNTED FIELD FINISHER		N/A
Width, in (mm)	60 (1,538)	–
Length, in (mm)	14 (355.6)	–



POWER-LIFT

Power-lift is standard on the 1200A. Flipping a switch is all it takes to raise and lower the rake or other rear implement.



MID MOUNT PRODUCTIVITY

Our optional mid-mount scarifiers and cultivators are easy to attach to the 1200H. Both have hydraulic controls for easy operation.



NO MORE SLIPPING

For serious torque and traction, choose the 1200H with its hydrostatic 3-wheel drive and high flotation tyres. With a 10-to-1 steering ratio and adjustable 14-inch steering wheel, tight turns and easy handling are always assured.



1200A

10.1 kW (13.5 hp) at 3,600 rpm
Operating speed: 0 – 20.3 km/h (0 – 12.6 mph)



1200H

11.9 kW (16 hp) at 3,600 rpm
Operating speed: 0 – 16.9 km/h (0 – 10 mph)

WORK UTILITY VEHICLES

THE VERSATILE WORKHORSE AT YOUR SIDE



Looking for a capable partner that treads softly,
yet works as hard as you do? Put a Gator on your team –
and relax.



GATOR TS

CONSIDER IT DONE

Let your Gator TS take the strain. With its 401 cc petrol-powered engine and rugged build, this utility vehicle has a surprisingly light footprint on your turf: only 7.5 psi, less than a human footprint. The Gator TS combines heightened stability, impressive capacity, intuitive operation and plenty more features you can rely on.



BUILT FOR HEAVY HAULING

Hauling heavy or bulky cargo comes easy with a strong 16-gauge cargo box. The box is located directly above the rear wheels for excellent stability. And, with a load height of 25 in (63.5 cm) you can make full use of its 227 kg cargo capacity. The cargo box can be manually tilted up to allow access to the drive system or assist in cleaning out the box, while a prop rod and extra tie-downs provide added operator convenience and safety. The tailgate can be opened or removed for clean-out or transport of longer items.

Caution: Carrying extra long cargo that extends beyond the box can adversely affect your vehicle's overall stability.



OPERATE IN COMFORT

The Gator TS is a comfortable ride. It offers side-by-side bucket seating for one operator and one passenger plus the choice of an adjustable operator's seat attachment. Both seats tilt forward for dry storage and added convenience. The vehicle's smooth engine and intuitive controls make driving a pleasure.





AT YOUR SERVICE

The control location and walk-through platform provide easy entry/exit for all, while additional hip restraints help keep you in your seats over rough terrain. The Gator TS also features an hour meter to assist in maintaining regular service intervals, a 12-V outlet (VDC) located on the instrument panel and integrated cupholders.

TS

Petrol Engine
Displacement: 401 cc
Speed: 32 km/h
Rear Suspension: Two High-Flotation Tyres, Low Pressure Tyres (Solid Axle)
Towing Capacity: 408 kg
Cargo Capacity: 227 kg

- Comfortable Low Load Height
- Low Centre of Gravity

GATOR TX & TX TURF

WORK HARD, TREAD SOFTLY

Gently does it. Our hard-working Gator TX models have all the power and capacity you need to get the job done quickly, safely and quietly.



GATOR TX & TX TURF

Both models have flotation turf tyres and a payload capacity of 454 kg. The TX has a powerful 675 cc engine, while the TX Turf has 401 cc. Its stop-start technology, quiet operation and fuel-saving attributes make the TX Turf ideal for use in a Golf and Sports environment. The TX does not feature this technology.



Flat Bed: Cargo box sides can be removed in minutes to convert the box to a flat bed.

FLOTATION TURF TYRES & REDUCED SCUFFING

The Gator TX models are specifically engineered to tread softly. Differential design reduces scuffing of the turf during turns by ensuring that the inside wheels turn slower than the outside wheels. Traction assist (differential lock) is built into the transaxle, which allows locking the rear drive wheels together and provides increased traction where needed.



Cargo Box Side

Extension: Increase your cargo box's side height and volume to haul twice the amount. The tailgate pivots at the top for easier access.



STABLE DESIGN

With their low centre of gravity the Gator TX models provide excellent stability on hilly, uneven terrain. For balanced weight distribution the cargo-box is centred over the rear wheels.

ON ALL TX & TX TURF MODELS

- Rear Suspension: Semi-Independent Coil-Over-Shock
- Towing Capacity: 454 kg
- Cargo Capacity: 272 kg
- Low Centre of Gravity
- Deluxe Cargo Box
- All-Wheel Disc Brakes



Tailgate: Fold out the pickup-style tailgate to 90 degrees and down a full 150 degrees with just one hand.



TX

Petrol Engine
Displacement: 675 cc
Speed: 32 km/h



TX TURF

Petrol Engine
Displacement: 401 cc
Speed: 25 km/h

- Foot Pedal Start

GATOR TE

A ZERO-EMISSIONS GATOR THAT JUST KEEPS GOING

Golf courses, work premises, enclosed spaces . . . When quiet operation and zero emissions are the order of the day, the Gator TE really delivers. And thanks to an impressive combination of driving and utility features, you can go electric without compromising on power or functionality.



WHISPER-QUIET ELECTRIC POWER

The Gator TE is equipped with a motor-powered 48-V electrical system for faster acceleration and better uphill performance. Dynamic braking and anti-rollback offer additional security when you take your foot off the accelerator, preventing the vehicle from freewheeling when stopped on a gradient. Overspeed control to approximately 13 km/h (8 mph) and the electronic brake ensure your speed remains constant without the loss of torque, even on a downhill incline or in reverse. With its eight high-capacity batteries, the Gator TE can work hard for 7–8 hours between charges – all with zero emissions and practically no noise.

Energy is transformed back into the batteries when the vehicle exceeds the set maximum speed or when dynamic braking is engaged. That's an estimated 3–5% of regenerative energy for a day of work.





Hard Worker: Don't be deceived by the quiet exterior of the Gator TE Utility Vehicle. With solid, one-piece forged axles, a cast aluminium rear axle housing and a deluxe cargo box, it's built for hard work in all conditions.

INCREASED RUN-TIME

Every unit comes with an Underwriters Laboratories Inc. (UL) approved on-board charger that lets you charge your vehicle from anywhere. Additional safety features prevent overcharging or driving while connected to the charger. Its advanced temperature sensor technology improves the information flow coming in and out of the charger and allows the batteries to charge more fully. This can increase run time by up to 75%, depending on your usage.



TE

Electric Engine
Speed: 24 km/h
Rear Suspension: Two High-Flotation Tyres, Low Pressure Tyres (Solid Axle)
Towing Capacity: 273 kg
Cargo Capacity: 227 kg

- Super-Quiet Electric Operation
- Zero Emissions

GATOR TH 6X4

TOW MORE THAN YOU THOUGHT

With six wheels, a low centre of gravity and power to spare, the Gator TH 6x4 makes light work of heavy loads. It's our strongest workhorse, can transport up to 508 kg and is prepared to help you power through.



FULL POWER AHEAD

The powerful yet economical 854 cc, three-cylinder, liquid-cooled, four-cycle diesel engine makes the Gator TH 6x4 a speedy mover even when the going gets tough. The engine is rated 13.6 kW (18.5 hp) at 3,400 rpm using standard ECE-R24. Its overhead valve was designed for greater efficiency and fuel economy. It contains a dry replaceable single-element air cleaner with remote intake as well as a spark-arresting muffler. Indirect injection diesel with glow plugs ensure fast starts in cold temperatures, while its dual radiator system adds cooling capacity.



GOLF PRO

With six high-flotation wheels, the Gator TH 6x4 travels lightly over your valuable turf.





HEAVYWEIGHT CHAMPION

With a total towing capacity of 726 kg (including passengers), the Gator TH 6x4 is the strongest workhorse in the T-series family. See page 68–69.



TH 6X4

Diesel Engine
Displacement: 854 cc
Speed: 32 km/h
4-Wheel Drive
Rear Suspension: Two High-Flotation Tyres, Low Pressure Tyres (Solid Axle)
Towing Capacity: 726 kg
Cargo Capacity: 508 kg

– Low Load Height

GATOR HPX815E

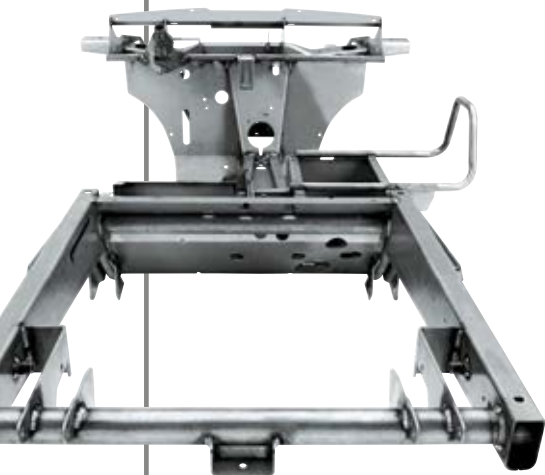
READY FOR WORK

Love a challenge? So does the Gator HPX815E. Even when fully loaded, this utility vehicle is built to clear all types of ground. Its 635 kg payload capacity, 4-wheel drive and semi-independent suspension will help you go where others can't.



HIGH-STRENGTH HYDRO-FORMED STEEL FRAME

Our hydro-formed frames have fewer welded or bolted joints for maximum durability, plus high tolerances for twisting and heavy loads.



PILE IT ON

Heavy loads? No problem, thanks to a cargo capacity of 454 kg.



Safety First: Each vehicle is fitted with a ROPS (Roll Over Protection Structure) canopy and comfortable three-point seat belts to keep you safe at all times.



HPX815E

Diesel Engine
Displacement: 854 cc
Speed: 40 km/h
4-Wheel Drive
Rear Suspension: Coil-Over-Shock
Towing Capacity: 590 kg
Cargo Capacity: 454 kg

- High-Strength Hydro-Formed Steel Frame
- Standard Deluxe ROPS Canopy
- Road Homologation*

* Homologation type may vary by country. Please refer to your dealer.



Stop On A Sixpence: Fully hydraulic brakes ensure first-class braking performance.

PROGATOR

THE CLUB PROFESSIONAL

Meet our club professional! From spraying and top dressing to debris collection, the ProGator utility vehicle helps you keep your turf in peak condition. Even under load, the power steering and tight turning radius make it a pleasure to drive.



LET THE WATER FLOW!

That's no problem with the 750 litre capacity of the HD200 sprayer. And with a range of booms measuring 4.6 m, 5.5 m and 6.4 m, there's no shortage of choice, either!



GOOD TOP DRESSING IS HALF THE BATTLE

The TD100 Top Dresser features a seamless conveyor belt up to 538 litre capacity. What's more, the hopper is made of galvanised steel.





ROOM FOR MORE

With its massive 907 kg cargo capacity and low centre of gravity, the PROGATOR can take it – literally.



PROGATOR

Diesel Engine
Displacement: 1,115 cc
Speed: 31 km/h
4-Wheel Drive, Optional
Rear Suspension: Dual Leaf Springs and Shocks
Towing Capacity: 680 kg
Cargo Capacity: 907 kg

- Tight Turning Radius
- Low Centre of Gravity
- 5-Speed Synchromesh Transmission

A MASTER OF ITS CRAFT

The TC125 turf collection system helps you pick up the pace when collecting aeration cores, sand, grass clippings and leaves.



SELECTSPRAY

HD200 SELECTSPRAY

This high performance sprayer makes your ProGator even more versatile. No tools required!



PARKING STAND

Who says sprayers are just for spraying? Get more out of your ProGator with this sturdy, easy-to-mount stand.



Auto Rate Control: Input which colour nozzles you're using, then sync your target application rate to your ground speed – automatically, and in real time.



TOUGH TANKS

The impact-resistant polyethylene tanks are styled for a low centre of gravity and a clear view of the outer boom sections.





BOOM OPTIONS

Our 18 ft (5.5 m) and convertible 15/21 ft (4.6/6.4 m) booms with electric-hydraulic lift and bi-directional breakaway function are ideal for greens, fairways and tees.

NOZZLE BODIES

Whatever you need to spray, these standard triple-nozzle bodies make nozzle and droplet setup easy.

Diaphragm pump: Enjoy ample flow for all turf applications – and ample power for high-pressure tank agitation.



Clean Load Chemical Eductor: The ergonomic, waist-level eductor takes the strain off of operators when lifting and loading heavy chemicals.



See full specifications on page 91.

PRECISIONSPRAY

HD200 GPS PRECISIONSPRAY

Spray more efficiently and document spray jobs automatically – with the HD200 GPS PrecisionSpray. The factory assembled sprayer ensures a consistent finish for an exceptional customer experience.



PROVEN TECHNOLOGY

Farmers all over the world trust our proven Starfire and Greenstar components for smooth, fuss-free productivity. Thanks to sophisticated RTK signal correction, the exterior, interior and no-spray zones you map won't shift while you work!



Fingertip Control: With a generous touch screen, convenient section control switches and automated documentation, efficiency has never been so easy.



Standard Auto Trac: Less overlap, less fatigue ... with AutoTrac at the wheel, operators can focus on what matters most – spraying.





Foolproof accuracy: Every nozzle in every section is controlled automatically, and only sprays inside a mapped area that hasn't been treated yet.



Precise volumes: The simplified plumbing architecture, flow meter and rpm adjuster pump enable precise spray volumes.

MYOPERATIONCENTER

Accurate mapping helps you set spray zones and rates precisely. That's good for your budget – and good for the environment.



COMPACT UTILITY TRACTORS

3E, 3R, 4M & 4R

Our versatile compact utility tractors combine user-friendly features with legendary John Deere build quality and technology. The 3 and 4 Series are popular choices for golf and sports facilities. For varying requirements, a 1 and 2 Series are also available starting at 24.8 hp.



PULL OR PUSH

With this much power and control, it's easy to run a wide range of attachments smoothly and accurately.





VERSATILE

The 4066R Compact Utility Tractor is an affordable, high quality workhorse that gets things done. Highlights include a tight turning radius and advanced on-board diagnostics.



LOADERS

For even more versatility, our loaders are designed specifically for our tractors to deliver maximum performance through easy operation.



COMPACT UTILITY TRACTORS

Ask your dealer for the "Compact Utility Tractors" brochure today – or download it from JohnDeere.com

SPECIFICATIONS



	180E	220E
E-CUT HYBRID WALK-BEHIND GREENS MOWERS		
ENGINE		
Type	Air-cooled, 4-cycle	Air-cooled, 4-cycle
Maximum rated power per SAE J1349, kW (hp)*	2.6 (3.5) at 3,600 rpm	2.6 (3.5) at 3,600 rpm
Direction of rotation of output shaft	Counter-clockwise viewed from shaft side	Counter-clockwise viewed from shaft side
Inclination limit	Tilted up to 20 degrees in any direction	Tilted up to 20 degrees in any direction
Idle speed at output shaft, rpm	1,400 (± 150)	1,700 (± 100)
Maximum speed at output shaft, rpm	2,950 (± 150)	2,950 (± 150)
Fuel tank capacity, pt (l)	4.5 (2.5)	4.5 (2.5)
Oil capacity, pt (l)	1 (0.6)	1 (0.6)
Differential drive capacity, pt (l)	0.25 (0.14)	0.25 (0.14)
CUTTING EQUIPMENT		
Cutting width, in (cm)	18 (45.7)	22 (55.9)
Cutting height with 3.0 mm bedknife, in (mm)	Min 1/8 (3.2) – Max. 7/8 (22)	Min 1/8 (3.2) – Max. 7/8 (22)
Cutting height with 2.5 mm bedknife, in (mm)	Min 7/64 (2.5) – Max. 7/8 (22)	Min 7/64 (2.5) – Max. 7/8 (22)
Cutting height with 2.0 mm bedknife, in (mm)	Min 5/64 (2.0) – Max. 7/8 (22)	Min 5/64 (2.0) – Max. 7/8 (22)
Cutting height with tee bedknife, in (mm)	N/A	N/A
Frequency of clip standard, in (mm)	Variable with five settings. 11 blade is 0.162 (4.1), 0.180 (4.6), 0.220 (5.6), 0.380 (9.7), 0.480 (12.2); 14 blade is 0.120 (3.2), 0.140 (3.6), 0.180 (4.4), 0.300 (7.6), 0.380 (9.6)	Variable with five settings. 11 blade is 0.162 (4.1), 0.180 (4.6), 0.220 (5.6), 0.380 (9.7), 0.480 (12.2); 14 blade is 0.120 (3.2), 0.140 (3.6), 0.180 (4.4), 0.300 (7.6), 0.380 (9.6)
REEL		
Diameter, in (mm)	5 (127)	5 (127)
Number of blades	11 or 14 blade	11 or 14 blade
Material	Heat-treated chromium molybdenum steel	Heat-treated chromium molybdenum steel
Bedknife – standard, in (mm)	0.098 (2.5) thick × 18 (457) long	0.118 (3) thick × 22 (559) long
ROTARY BRUSH AND GREENS TENDER CONDITIONER (Optional)		
Brush, in (mm)	Interlocked with reel, rotation in reverse direction; 2 – 3/8 (60) diameter nylon	Interlocked with reel, rotation in reverse direction; 2 – 3/8 (60) diameter nylon
GTC vertical cutter blades, in (mm)	Specially hardened carbon tool steel; star-shaped; 2 – 3/8 (60) diameter, 60 blades	Specially hardened carbon tool steel; star-shaped; 2 – 3/8 (60) diameter, 75 blades
Adjustable brush or cutter height, in (mm)	Brush even with the cutting height; GTC 1/32 (0.8) below the cutting height maximum	Brush even with the cutting height; GTC 1/32 (0.8) below the cutting height maximum
Gear drive	Gear driven from reel shaft, opposite direction of reel, rotation powers brush or GTC vertical cutter	Gear driven from reel shaft, opposite direction of reel, rotation powers brush or GTC vertical cutter
GRASS CATCHER		
Size, lb (kg)	7 (3.2)	7 (3.2)
Type	Polyethylene	Polyethylene
CLUTCHES		
Transport	Belt tension	Belt tension
Reel jaw-type clutch	On/off	On/off
Brush/GTC jaw-type clutch	On/off	On/off
Traction drum	Dual, aluminium	Dual, aluminium
TRAVELLING DEVICE		
Forward speed, km/h (mph)	7.2 (4.5) with transport wheels at 3,000 engine rpm	8.4 (5.2) with transport wheels at 3,500 engine rpm
Roller (rear), in (mm)	Aluminium, 7.5 (190) diameter	Aluminium, 7.5 (190) diameter
Roller (front) (grooved or smooth), in (mm)	Machined steel, 2 (50) diameter (for cutting height adjustment)	Machined steel, 2 (50) diameter (for cutting height adjustment)
DIMENSIONS		
Length (tyres installed), in (mm)	39 (990)	39 (990)
Width (tyres installed), in (cm)	37.25 (94.6)	37.25 (94.6)
Height (tyres installed), in (cm)	47 (119)	47 (119)
Weight (less GTCs, gear drive and transport wheel, with catcher), kg (lb)	113 (249)	119 (262)
SOUND LEVELS		
Operator ear	79 dBA	79 dBA
Measuring standard	ISO 11201	ISO 11201
Attachments installed	GTCs, reels engaged	GTCs, reels engaged

* Engine horsepower and torque information are provided by the engine manufacturer to be used for comparison purposes only. Actual operating horsepower and torque will be less. Refer to the engine manufacturer's website for additional information.



180SL



220SL



260SL

Air-cooled, 4-cycle, Gas	Air-cooled, 4-cycle, Gas	Air-cooled, 4-cycle, Gas
2.6 (3.5) at 3,600 rpm	2.6 (3.5) at 3,600 rpm	2.6 (3.5) at 3,600 rpm
Counter-clockwise viewed from shaft side	Counter-clockwise viewed from shaft side	Counter-clockwise viewed from shaft side
Tilted up to 20 degrees in any direction	Tilted up to 20 degrees in any direction	Tilted up to 20 degrees in any direction
1,600 (± 100)	1,700 (± 100)	1,700 (± 100)
2,950 (± 150)	2,950 (± 150)	2,950 (± 150)
4.5 (2.5)	4.5 (2.5)	4.5 (2.5)
1 (0.6)	1 (0.6)	1 (0.57)
0.25 (0.14)	0.25 (0.14)	0.6 (0.35)
18 (45.7)	22 (55.9)	26 (66)
Min 1/8 (3.2) – Max 7/8 (22)	Min 1/8 (3.2) – Max 7/8 (22)	Min 1/8 (3.2) – Max.7/8 (22)
Min 7/64 (2.5) – Max 7/8 (22)	Min 7/64 (2.5) – Max 7/8 (22)	Min 7/64 (2.5) – Max 7/8 (22)
Min 5/64 (2.0) – Max 7/8 (22)	Min 5/64 (2.0) – Max 7/8 (22)	N/A
N/A	N/A	3/16 (4.8)
11 blade is 0.182 (4.62) with optional 'speed-up' kit for 0.155 (3.94); 14 blade is 0.141 (3.58)	11 blade is 0.182 (4.62) with optional 'speed-up' kit for 0.155 (3.94); 14 blade is 0.141 (3.58)	7 blade is 0.286 (7.26); 11 blade is 0.182 (4.62)
5 (127)	5 (127)	5 (127)
11 or 14 blade	11 or 14 blade	7 or 11 blade
Heat-treated chromium molydenum steel	Heat-treated chromium molydenum steel	Heat-treated chromium molydenum steel
0.098 (2.5) thick × 18 (457) long	0.098 (2.5) thick × 18 (457) long	0.118 (3) thick × 26 (660) long
Interlocked with reel, rotation in reverse direction; 2–3/8 (60) diameter nylon	Interlocked with reel, rotation in reverse direction; 2–3/8 (60) diameter nylon	Interlocked with reel, rotation in reverse direction; 2–3/8 (60) diameter nylon
Specially hardened carbon tool steel; star-shaped; 2–3/8 (60) diameter, 60 blades	Specially hardened carbon tool steel; star-shaped; 2–3/8 (60) diameter, 60 blades	Specially hardened carbon tool steel; star-shaped; 2–3/8 (60) diameter, 88 blades
Brush even with the cutting height; GTC 1/32 (0.8) below the cutting height maximum	Brush even with the cutting height; GTC 1/32 (0.8) below the cutting height maximum	Brush even with the cutting height; GTC 1/32 (0.8) below the cutting height maximum
Gear driven from reel shaft, opposite direction of reel, rotation powers brush or GTC vertical cutter	Gear driven from reel shaft, opposite direction of reel, rotation powers brush or GTC vertical cutter	Gear driven from reel shaft, opposite direction of reel, rotation powers brush or GTC vertical cutter
6 (2.7)	6 (2.7)	8.2 (3.7)
Polyethylene	Polyethylene	Polyethylene
Belt tension	Belt tension	Belt tension
On/off	On/off	On/off
On/off	On/off	On/off
Dual, aluminium	Dual, aluminium	Dual, aluminium
7.2 (4.5) with transport wheels at 3,000 engine rpm	7.2 (4.5) with transport wheels at 3,000 engine rpm	7.2 (4.5) with transport wheels at 3,000 engine rpm
Aluminium, 7.5 (190) diameter	Aluminium, 7.5 (190) diameter	Aluminium, 7.5 (190) diameter
Machined steel, 2 (50) diameter (for cutting height adjustment)	Machined steel, 2 (50) diameter (for cutting height adjustment)	Machined steel, 2 (50) diameter (for cutting height adjustment)
37 (940)	37 (940)	37 (940)
33.3 (84.5)	33.3 (84.5)	41.3 (105)
47 (119)	47 (119)	47 (119)
92.7 (204)	99.5 (219)	107.7 (237)
82 dBA	82 dBA	84 dBA
ISO 11201	ISO 11201	ISO 11201
GTCs, reels engaged	GTCs, reels engaged	GTCs, reels engaged



2550 E-CUT & 2550

2750 E-CUT & 2750

E-CUT HYBRID DIESEL & PRECISIONCUT DIESEL RIDING GREENS MOWER

ENGINE		
Type	3-cylinder Liquid-cooled diesel	3-cylinder Liquid-cooled diesel
Maximum rated power per SAE J1995, kW (hp)	14.6 (19.9) at 3,000 rpm (Stage V)	14.6 (19.6) at 3,000 rpm
Displacement, cu in (cc)	60.6 (993)	60.6 (993)
Oil filter	Full-flow filter	Full-flow filter
Fuel tank capacity, ltr (gal)	29.5 (7.8) in a single tank	20 L (5.2 US gal.)
Pressurised lubrication system	Standard	Standard
Charging system & alternator capacity	Flywheel, 20 amp alternator	Flywheel, 55 amp alternator
Ignition starter & battery type	Electric (solenoid shift) & 12 volt, BCI group 40 maintenance-free	electric (solenoid shift) & 12 volt, BCE group 51 maintenance free
MACHINE SPECIFICATION		
Tyres front/rear	2550 E-CUT: 18 × 10.5-10, 2-ply, smooth (low compaction); 20 × 10-10, 2-ply or 4-ply, smooth; 20 × 10-10 balloon type; or 20 × 10-10, 2-ply, turf 2550: 19 × 10.5-10, 2-ply, smooth (low compaction); 20 × 10-10, 2-ply or 4-ply, smooth; 20 × 10-10 balloon type; or 20 × 10-10, 2-ply, turf	20x10-10 / 20x10-10 (smooth, smooth balloon, or turf tread)
Braking system	Single pedal, 2-wheel disc brakes	Hand lever operated, 2-wheel disc brakes
Brake type, in (cm)	Dual, 6 (15.2)	disc, 6 / 15.2
Mowing speed, km/h (mph)	2550 E-CUT: 0 to 7.1 (0 to 4.4), adjustable mow stop 2550: 0 – 6.4 (0 – 4), adjustable mow stop	0 – 9.7 (6.0) Adjustable via passcode-protected TechControl Display
Transport speed, km/h (mph)	2550 E-CUT: 0 – 12.9 (0 – 8) 2550: 0 – 13.7 (0 – 8.5)	0 – 17.7 (11) Adjustable via passcode-protected TechControl Display
Reverse speed, km/h (mph)	0 – 4.8 (0 – 3)	0 – 6.4 (0 – 4)
Ground clearance with catcher, in (cm)	4 (10.2)	4.5 (11.4)
Total Hydrostatic drive system capacity, ltr (gal)	28.8 (7.6)	16.5 L (4.4 US gal.)
Drive wheels	Front – optional 3wd	Front – optional 3wd
Traction drive	Hydrostatic, 2-pedal control	eHydro – electronically controlled hydraulic traction pump
Reel drive	2550 E-CUT: electric 2550: hydraulic	2750 E-CUT: electric 2750: hydraulic
Reel power source	2550 E-CUT: Alternator, 48V, 100 amp 2550: 3-section gear	2750 E-CUT: 56V, 100 amp alternator and independent reel motors 2750: gear pump
Reel control	2550 E-CUT: voltage regulated 2550: Electro-hydraulic, one valve reel on-off and one valve raise-lower	2750: Proportional hydraulic mow valve, electronically controlled 2750 E-CUT: Independent Electronic Reel Controllers
WEIGHTS AND DIMENSIONS		
Wheelbase, in (cm)	51 (129.5)	51.2 (130)
Tread width, in (cm)	40 (101.5)	61.9 (157.2)
Mowing position width, in (cm)	62 (157.5)	62 (157.5)
Turning radius, uncut circle, in (cm)	18 (45.7)	18 (45.7)
Weight (full fluids, no operator or fuel), kg (lb)	637.3 (1,405)	2750 – 616 (1,355) 2750 E-CUT – 641 (1,410)
Height, in (cm)	76.5 (194.6) with ROPS	77.6 (197.1)
MOWING		
Number of units	3 – offset design	3
Size, in (cm)	Quick Adjust QA5 22 (55.9) floating	Quick Adjust QA5 22 (55.9) floating
Backlapping	2550 E-CUT: Standard on machine, variable adjustment capability 2550: Standard onboard micro-backlapping and reel speed control	Engagement / Disengagement and RPM controlled through passcode-protected TechControl Display
Clip frequency, in per mph (mm per km/h)	7 blade is 0.069 (1.08); 11 blade is 0.044 (0.69); 14 blade is 0.034 (0.54)	7 blade is 0.069 (1.08); 11 blade is 0.044 (0.69); 14 blade is 0.034 (0.54) Adjustable through passcode-protected TechControl Display
Front rollers, in (cm)	Optional 2 (5.1) smooth, grooved or spiral	choice of 2 (5), 2.5 (6.25) and 3 (7.5) inch diameter smooth, grooved or spiral
Reel diameter, in (cm)	5 (12.7)	5 (12.7)
Bedknife adjustment	Bedknife-to-reel	Bedknife-to-reel
Cutting height, in (mm)	With 2 in (51 mm) front roller: 0.078 to 1.42 in; With 3 in (76.2 mm) front roller: 0.16 to 1.80 in	With 2 in (51 mm) front roller: 0.078 to 1.42 in; With 3 in (76.2 mm) front roller: 0.16 to 1.80 in
Number of blades	7, 11 or 14	7, 11 or 14
Mower lift	(1) Hydraulic cylinder for front two units, (1) hydraulic cylinder for centre unit	3 independent hydraulic cylinders
Reel speed	Adjustable	Adjustable through passcode-protected TechControl Display
SOUND LEVELS		
with GTCs and Power Brushes, reels engaged	2550: 82 dB(A) at 3,175 rpm 2550 E-CUT: 82 dB(A) at 3,175 rpm and 78 dB(A) at reduced 2,250 rpm	2750 – 83 dB(A) Max mode, 82 dB(A) Eco mode 2750 E-CUT – 83 dB(A) Max mode, 81 dB(A) Eco mode
Measuring standard	ISO 11201	ISO 11201



	6080A	6500A	6700A
PRECISIONCUT FAIRWAY MOWER			
ENGINE			
Type	Three Cylinder Diesel Engine	Three Cylinder Diesel Engine	Three Cylinder Diesel Engine
Maximum rated power as per SAE J1995, kW (hp)	18.6 (24.7) at 3,000 rpm (Stage V)	18.6 (24.7) at 3,000 rpm (Stage V)	18.6 (24.7) at 3,000 rpm (Stage V)
Displacement, cu in (cc)	77.3 (1,267)	77.3 (1,267)	77.3 (1,267)
Injection	indirect	indirect	indirect
Air cleaner	2-stage dry element	2-stage dry element	2-stage dry element
Fuel	Diesel	Diesel	Diesel
Cooling system	Liquid centrifugal. Pump – forward machine location for optimum cooling	Liquid centrifugal. Pump – forward machine location for optimum cooling	Liquid centrifugal. Pump – forward machine location for optimum cooling
VEHICLE			
Traction drive	eHydro electronic-controlled hydrostatic pump to wheel motors	eHydro electronic-controlled hydrostatic pump to wheel motors	eHydro electronic-controlled hydrostatic pump to wheel motors
Reel drive pump	Gear pump – single	Gear pump – single	Gear pump – single
Steering	Hydraulic power with double acting steering cylinder	Hydraulic power with double acting steering cylinder	Hydraulic power with double acting steering cylinder
Wheels and Tyres	26.5 × 14 – 12 Smooth Drive Tyres and 24 × 13 – 12 Smooth Steering Tyre	26.5 × 14 – 12 Smooth Drive Tyres and 24 × 13 – 12 Smooth Steering Tyre	26.5 × 14 – 12 Smooth Drive Tyres and 24 × 13 – 12 Smooth Steering Tyre
Ground pressure, psi	10	10	10
Brakes	Internal hydraulic wet disc brakes with dynamic braking through closed loop hydrostatic system	Internal hydraulic wet disc brakes with dynamic braking through closed loop hydrostatic system	Internal hydraulic wet disc brakes with dynamic braking through closed loop hydrostatic system
ROPS	Standard; meets ISO 21299 Standard	Standard; meets ISO 21299 Standard	Standard; meets ISO 21299 Standard
CONTROLS			
Throttle	Hand throttle at operator's right	Hand throttle at operator's right	Hand throttle at operator's right
Forward/reverse	2-pedal	2-pedal	2-pedal
Mower lift	One-touch single handle	One-touch single handle	One-touch single handle
Parking brake	Electric Switch on CommandARM for Internal Wet Disc Brakes	Electric Switch on CommandARM for Internal Wet Disc Brakes	Electric Switch on CommandARM for Internal Wet Disc Brakes
Seat	Suspension seat with seat belts and arm rest; fore/aft adjustment; weight and lumbar adjustment	Suspension seat with seat belts and arm rest; fore/aft adjustment; weight and lumbar adjustment	Suspension seat with seat belts and arm rest; fore/aft adjustment; weight and lumbar adjustment
PTO	Electric Switch on CommandARM	Electric Switch on CommandARM	Electric Switch on CommandARM
3WD	GRIP All Wheel Drive Traction System; when installed, AWD in mow and transport.	GRIP All Wheel Drive Traction System; when installed, AWD in mow and transport.	GRIP All Wheel Drive Traction System; when installed, AWD in mow and transport.
Tilt steering	Left Foot operated for easy adjustment	Left Foot operated for easy adjustment	Left Foot operated for easy adjustment
TechControl Display	Yes	Yes	Yes
MOWER			
Number of units	5	5	5
Size, in (cm)	QA5 quick adjust 18 inch	QA5 quick adjust 21 inch	QA7 quick adjust 21 inch
Total cutting width, in (cm)	80 (203)	100 (254)	100 (254)
Cutting height, in (mm)	0.078 – 1.125 (2.0 – 28.5)	0.078 – 1.125 (2.0 – 28.5)	0.25 – 2 (6.3 – 50.8)
FREQUENCY OF CLIP (FOC)			
11-blade QA7, in/mph (mm/km/h)	0.044 (0.69)	0.044 (0.69)	–
7-blade QA7, in/mph (mm/km/h)	0.069 (1.082)	0.069 (1.082)	–
10-blade QA7, in/mph (mm/km/h)	–	–	0.067 (1.06)
8-blade QA7, in/mph (mm/km/h)	–	–	0.084 (1.33)
Rollers, in (cm)	2 (5.1) front and rear; 3 (7.6) optional; 2.5 (6.3) front optional	2 (5.1) front and rear; 3 (7.6) optional; 2.5 (6.3) front optional	3 (7.6)
Reel diameter (std. cutting unit), in (cm)	5 (12.7)	5 (12.7)	7 (17.8)
DIMENSIONS			
Height with ROPS, in (cm)	85 (216)	86 (218)	86 (218)
Length with catchers, in (cm)	120 (305)	121 (307)	121 (307)
Transport width, in (cm)	91 (232)	85 (218)	86 (219)
Mowing position width, in (cm)	92 (233)	112 (285)	113 (287)
GROUND SPEED			
Mowing, km/h (mph)	0 – 12.9 (0 – 8)	0 – 12.9 (0 – 8)	0 – 12.9 (0 – 8)
Transport, km/h (mph)	0 – 16.1 (0 – 10)	0 – 16.1 (0 – 10)	0 – 16.1 (0 – 10)
Reverse, km/h (mph)	0 – 10 (0 – 6)	0 – 10 (0 – 6)	0 – 10 (0 – 6)



6080A E-CUT & 6500A E-CUT

7500A E-CUT

8000A E-CUT

E-CUT HYBRID FAIRWAY MOWER

ENGINE			
Type	Three Cylinder Diesel Engine	Direct inject turbocharged 3-cylinder diesel	Direct inject turbocharged 3-cylinder diesel
Maximum rated power as per SAE J1995, kW (hp)	18.6 (24.7) at 3,000 rpm (Stage V)	27.3 (37.1) at 2,600 rpm (Stage III A) / 31 (42.1) at 2,800 rpm (Stage V)	27.3 (37.1) at 2,600 rpm (Stage III A) / 31 (42.1) at 2,800 rpm (Stage V)
Displacement, cu in (cc)	77.3 (1,267)	91.6 (1,496) (Stage III A) / 95.69 (1,568) (Stage V)	91.6 (1,496) (Stage III A) / 95.69 (1,568) (Stage V)
Injection	indirect		
Air cleaner	2-stage dry element	2-stage dry element	2-stage dry element
Fuel	Diesel	Diesel	Diesel
Cooling system	Liquid centrifugal. Pump – forward machine location for optimum cooling	Liquid centrifugal. Pump – forward machine location for optimum cooling	Liquid centrifugal. Pump – forward machine location for optimum cooling
VEHICLE			
Traction drive	eHydro electronic-controlled hydrostatic pump to wheel motors	eHydro electronic-controlled hydrostatic pump to wheel motors	eHydro electronic-controlled hydrostatic pump to wheel motors
Reel drive	48-V, 180-amp alternator belt-driven by the engine (Stage V)	48-V, 180-amp alternator belt-driven by the engine (Stage V)	48-V, 180-amp alternator belt-driven by the engine (Stage V)
Steering	Hydraulic power with double acting steering cylinder	Hydraulic power with double-acting steering cylinder	Hydraulic power with double-acting steering cylinder
Front drive tyres	26.5 × 14 – 12 Smooth Drive Tyres and 24 × 13 – 12 Smooth Steering Tyre	26.5 × 14 – 12 turf	
Ground pressure, psi	10	10	10
Brakes	Internal hydraulic wet disc brakes with dynamic braking through closed loop hydrostatic system	Internal hydraulic wet disc brakes with dynamic braking through closed loop hydrostatic system	Internal hydraulic wet disc brakes with dynamic braking through closed loop hydrostatic system
ROPS	Standard; meets ISO 21299 Standard	Standard; meets ISO 21299 Standard	Standard; meets ISO 21299 Standard
CONTROLS			
Throttle	Hand throttle at operator's right	Hand throttle at operator's right (Stage III A); Automatic controls with AutoPedal foot controls; manual control through TechControl display (Stage V)	Hand throttle at operator's right
Forward/reverse	2-pedal	2-pedal	2-pedal
Mower lift	One-touch single handle	One-touch single handle	One-touch single handle
Parking brake	Electric Switch on CommandARM for Internal Wet Disc Brakes	Electric switch on CommandARM for Internal wet disc brakes	Electric switch on CommandARM for Internal wet disc brakes
Seat	Suspension seat with seat belts and arm rest; fore/aft adjustment; weight and lumbar adjustment	Suspension seat with seat belts and arm rest; fore/aft adjustment; weight and lumbar adjustment	Suspension seat with seat belts and arm rest; fore/aft adjustment; weight and lumbar adjustment
PTO	Electric Switch on CommandARM	Electric switch on CommandARM	Electric switch on CommandARM
3WD (6080A E-CUT, 6500A E-CUT)	GRIP All Wheel Drive Traction System; when installed, AWD in mow and transport.	(Optional) GRIP All Wheel Drive Traction System; when installed, AWD in mow and transport. Hydraulic flow links opposite side wheel motors together for excellent grip on slopes.	GRIP All Wheel Drive Traction System; AWD in mow and transport. Hydraulic flow links wheel motors together for excellent traction.
4WD (7500A E-CUT, 8000A E-CUT)			
Tilt steering	Left Foot operated for easy adjustment	Left foot-operated for easy adjustment	Left foot-operated for easy adjustment
TechControl Display	Yes	Yes	Yes
MOWER			
Number of units	5	5	5
Size, in (cm)	QA5 quick adjust 18 inch	Quick Adjust QA5 22 (55.9)	Quick Adjust QA5 18 (45.7)
Total cutting width, in (cm)	6080A E-CUT: 80 (203) 6500A E-CUT: 100 (254)	100 (254)	80 (203)
Cutting height, in (mm)	0.078 – 1.125 (2.0 – 28.5)	0.078 – 1.125 (2.0 – 28.5)	0.078 – 1.125 (2 – 28.5) requires optional bedknife for lowest HOC and 3 inch roller for highest
FREQUENCY OF CLIP (FOC)			
11-blade QA5, in/mph (mm/km/h)	0.044 (0.69)	0.044 (0.69)	– (Stage III A) / 0.044 (0.69) (Stage V)
7-blade QA5, in/mph (mm/km/h)	0.069 (1.082)	0.069 (1.082)	0.069 (1.09)
Rollers, in (cm)	2 (5.1) front and rear; 3 (7.6) optional; 2.5 (6.3) front optional	2 (5.1) front and rear; 3 (7.6) optional; 2.5 (6.3) front optional	2 (5.1) front and rear; 3 (7.6) optional; 2.5 (6.3) front optional
Reel diameter (std. cutting unit), in (cm)	5 (12.7)	5 (12.7)	5 (12.7)
DIMENSIONS			
Height with ROPS, in (cm)	6080A E-CUT: 85 (216) 6500A E-CUT: 86 (218)	87 (220)	83 (210.8)
Length with catchers, in (cm)	6080A E-CUT: 120 (305) 6500A E-CUT: 121 (307)	127 (323)	115 (292)
Transport width, in (cm)	6080A E-CUT: 91 (232) 6500A E-CUT: 85 (218)	87 (221) (Stage III A) / 113 (287) (Stage III V)	91 (231) (Stage III A) / 89 (226) (Stage V)
Mowing position width, in (cm)	6080A E-CUT: 92 (233) 6500A E-CUT: 112 (285)	113 (287) (Stage III A) / 116 (295) (Stage III V)	93 (236)
GROUND SPEED			
Mowing, km/h (mph)	0 – 12.9 (0 – 8)	0 – 12.8 (0 – 8.0)	0 – 10 (0 – 6)
Transport, km/h (mph)	0 – 16.1 (0 – 10)	0 – 18.5 (0 – 11.5)	0 – 14 (0 – 9)
Reverse, km/h (mph)	0 – 10 (0 – 6)	0 – 6.4 (0 – 5.0)	0 – 6.4 (0 – 5)



7500A

7700A

8700A

PRECISIONCUT FAIRWAY MOWER

PRECISIONCUT FAIRWAY MOWER			
ENGINE			
Type	Direct inject turbocharged 3-cylinder diesel	Direct inject turbocharged 3-cylinder diesel	Direct inject diesel four-cylinder (Stage III A) / Direct inject turbo charges diesel four-cylinder (Stage V)
Maximum rated power as per SAE J1995, kW (hp)	27.3 (37.1) at 2,600 rpm (Stage III A) / 31 (42.1) at 2,800 rpm (Stage V)	27.3 (37.1) at 2,600 rpm (Stage III A) / 31 (42.1) at 2,800 rpm (Stage V)	36.2 (49.2) at 2,600 rpm (Stage III A) / 41.1 (55.9) at 2,800 rpm (Stage V)
Displacement, cu in (cc)	91.6 (1,496) (Stage III A) / 95.69 (1,568) (Stage V)	91.6 (1,496) (Stage III A) / 95.69 (1,568) (Stage V)	134 (2,189) (Stage III A) / 127.06 (2,091) (Stage V)
Air cleaner	2-stage dry element	2-stage dry element	2-stage dry element
Fuel	Diesel	Diesel	Diesel
Cooling system	Liquid centrifugal pump (Stage III A) / Liquid centrifugal. Pump – forward machine location for optimum cooling (Stage V)	Liquid centrifugal. pump – forward machine location for optimum cooling	Liquid centrifugal. Pump – forward machine location for optimum cooling
VEHICLE			
Traction drive	eHydro electronic-controlled hydrostatic pump to wheel motors	eHydro electronic-controlled hydrostatic pump to wheel motors	eHydro electronic-controlled hydrostatic pump to wheel motors
Reel drive pump	Tandem gear pump	Tandem gear pump	Tandem gear pump
Steering	Hydraulic power with double-acting steering cylinder	Hydraulic power with double-acting steering cylinder	Hydraulic power with double-acting steering cylinder
Front drive tyres	26.5 × 14 – 12 turf	26.5 × 14 – 12 turf	26.5 × 14 – 12 turf
Rear Tyres		20 × 12 – 10 turf	20 × 12 – 10 turf
Ground pressure, psi	10	10	10
Brakes	Internal hydraulic wet disc brakes with dynamic braking through closed loop hydrostatic system	Internal hydraulic wet disc brakes with dynamic braking through closed loop hydrostatic system	Internal hydraulic wet disc brakes with dynamic braking through closed loop hydrostatic system
ROPS	Standard; meets ISO 21299 Standard	Standard; meets ISO 21299 Standard	Standard; meets ISO 21299 Standard
CONTROLS			
Throttle	Hand throttle at operator's right (Stage III A) / Automatic controls with AutoPedal foot controls; manual control through TechControl display (Stage V)	Hand throttle at operator's right (Stage III A) / Automatic controls with AutoPedal foot controls; manual control through TechControl display (Stage V)	Hand throttle at operator's right (Stage III A) / Automatic controls with AutoPedal foot controls; manual control through TechControl display (Stage V)
Forward/reverse	2-pedal	2-pedal	2-pedal
Mower lift	One-touch single handle	One-touch single handle	One-touch single handle
Parking brake	Electric switch on CommandARM for Internal wet disc brakes	Electric switch on CommandARM for Internal wet disc brakes	Electric switch on CommandARM for Internal wet disc brakes
Seat	Suspension seat with seat belts and arm rest; fore/aft adjustment; weight and lumbar adjustment	Suspension seat with seat belts and arm rest; fore/aft adjustment; weight and lumbar adjustment	Suspension seat with seat belts and arm rest; fore/aft adjustment; weight and lumbar adjustment
PTO	Electric switch on CommandARM	Electric switch on CommandARM	Electric switch on CommandARM
4WD	(Optional) GRIP All Wheel Drive Traction System; when installed, AWD in mow and transport. Hydraulic flow links opposite side wheel motors together for excellent grip on slopes.	(Optional) GRIP All Wheel Drive Traction System; when installed, AWD in mow and transport. Hydraulic flow links opposite side wheel motors together for excellent grip on slopes.	(Optional) GRIP All Wheel Drive Traction System; when installed, AWD in mow and transport. Hydraulic flow links opposite side wheel motors together for excellent grip on slopes.
Tilt steering	Left foot-operated for easy adjustment	Left foot-operated for easy adjustment	Left foot-operated for easy adjustment
TechControl Display	Yes	Yes	Yes
MOWER			
Number of units	5	5	5
Size, in (cm)	Quick Adjust QA5 22 (55.9)	Quick Adjust QA7 22 (55.9)	Quick Adjust QA7 22 (55.9)
Total cutting width, in (cm)	100 (254)	100 (254)	100 (254)
Cutting height, in (mm)	0.078 – 1.125 (2.0 – 28.5)	0.25 – 2.0 (6.3 – 50.8)	0.25 – 2.0 (6.3 – 50.8)
Rollers, in (cm)	2 (5.1) front and rear; 3 (7.6) optional; 2.5 (6.3) front optional	3 (7.6)	3 (7.6)
Reel diameter (std. cutting unit), in (cm)	5 (12.7)	7 (17.8)	7 (17.8)
FREQUENCY OF CLIP (FOC)			
11-blade QA7, in/mph (mm/km/h)	0.044 (0.69)	–	–
7-blade QA7, in/mph (mm/km/h)	0.069 (1.082)	–	–
10-blade QA7, in/mph (mm/km/h)	–	0.067 (1.06)	0.067 (1.06)
8-blade QA7, in/mph (mm/km/h)	–	0.084 (1.33)	0.084 (1.33)
DIMENSIONS			
Height with ROPS, in (cm)	87 (220)	87 (220)	87 (220)
Length, in (cm)		111 (283)	111 (283)
Length with catchers, in (cm)	127 (323)	127 (323)	127 (323)
Transport width, in (cm)	87 (221)	87 (221)	87 (221)
Mowing position width, in (cm)	113 (287)	113 (287)	113 (287)
GROUND SPEED			
Mowing, km/h (mph)	0 – 12.8 (0 – 8.0)	0 – 12.8 (0 – 8.0)	0 – 12.8 (0 – 8.0)
Transport, km/h (mph)	0 – 18.5 (0 – 11.5)	0 – 20.12 (0 – 12.5)	0 – 20.12 (0 – 12.5)
Reverse, km/h (mph)	0 – 6.4 (0 – 5.0)	0 – 6.4 (0 – 5.0)	0 – 6.4 (0 – 5.0)

**8900A****PRECISIONCUT FAIRWAY MOWER**

ENGINE	
Type	Direct inject diesel four-cylinder (Stage III A) / Direct inject turbo charges diesel four-cylinder (Stage V)
Maximum rated power as per SAE J1995, kW (hp)	36.7 (49.2) at 2,600 rpm (Stage III A) / 41.1 (55.9) at 2,800 rpm (Stage V)
Displacement, cu in (cc)	134 (2,189) (Stage III A) / 127.06 (2,091) (Stage V)
Air cleaner	2-stage dry element
Fuel	Diesel
Cooling system	Liquid centrifugal. Pump – forward machine location for optimum cooling
VEHICLE	
Traction drive	eHydro electronic-controlled hydrostatic pump to wheel motors
Reel drive pump	Tandem gear pump
Steering	Hydraulic power with double acting steering cylinder
Front drive tyres	26.5 × 14 – 12 turf
Rear Tyres	20 × 12 – 10 turf
Ground pressure, psi	10
Brakes	Internal hydraulic wet disc brakes with dynamic braking through closed loop hydrostatic system
ROPS	Standard; meets ISO 21299 Standard
CONTROLS	
Throttle	Hand throttle at operator's right
Forward/reverse	2-pedal
Mower lift	One-touch single handle
Parking brake	Electric Switch on CommandARM for Internal Wet Disk Brakes
Seat	Suspension seat with seat belts and arm rest; fore/aft adjustment; weight and lumbar adjustment
PTO	Electric Switch on CommandARM
4WD	(Optional) GRIP All Wheel Drive Traction System; when installed, AWD in mow and transport. Hydraulic flow links opposite side wheel motors together for excellent grip on slopes.
Tilt steering	Left Foot operated for easy adjustment
TechControl Display	Yes
MOWER	
Number of units	5
Size, in (cm)	Quick Adjust QA7 26 (66) or 30 (76)
Total cutting width, in (cm)	114 (289.5) or 130 (330.2)
Cutting height, in (mm)	0.25 – 2.0 (6.3 – 50.8)
Rollers, in (cm)	3 (7.6)
Reel diameter (std. cutting unit), in (cm)	7 (17.8)
FREQUENCY OF CLIP (FOC)	
11-blade QA7, in/mph (mm/km/h)	–
7-blade QA7, in/mph (mm/km/h)	–
10-blade QA7, in/mph (mm/km/h)	0.067 (1.06)
8-blade QA7, in/mph (mm/km/h)	0.084 (1.33)
DIMENSIONS	
Height with ROPS, in (cm)	87 (220)
Length, in (cm)	111 (283)
Length with catchers, in (cm)	127 (323)
Transport width, in (cm)	QA7 with 26 (66) is 86.38 (219.4) or with 30 (76) is 93.90 (238.5), In back 220.6 (86.85 in)
Mowing position width, in (cm)	QA7 with 26 (66) is 129 (327.5) or with 30 (76) is 145 (369.5)
GROUND SPEED	
Mowing, km/h (mph)	0 – 12.8 (0 – 8.0)
Transport, km/h (mph)	0 – 20.12 (0 – 12.5)
Reverse, km/h (mph)	0 – 6.4 (0 – 5.0)

**2653B****PRECISIONCUT TRIM AND SURROUNDS MOWER**

ENGINE	
Type	3-cylinder Indirect Inject Diesel
Maximum rated power per SAE J1995, kW (hp)	14.6 (19.9) at 3,000 rpm (Stage V)
Displacement, cu in (cc)	60.6 (993)
Air cleaner	Dual stage, restriction indicator
Cooling system	Liquid
VEHICLE	
Traction drive	3-wheel drive hydrostatic, equal traction to all wheels
Reel drive pump	Gear
Hydraulic system capacity, US gal (l)	4.6 (20.8)
Fuel tank capacity, US gal (l)	6.2 (28)
Steering	Hydraulic power steering
Front tyre	20 × 10 – 10 turf
Rear tyre	20 × 10 – 8 turf
Braking system	2-wheel disc; hand-controlled park brake; dynamic braking through closed loop traction system
CONTROLS	
Lift and lower of cutting units	One-touch hand-controlled
Park brake	Hand
PTO	electrical switch
Throttle	Hand
Hydrostatic speed control	Foot
Ignition	Key switch, automatic glow plug
Mow Lift	Hand Lever
INSTRUMENTATION	
Seat	Deluxe suspension seat w fore/aft adjustment
Parking brake	mechanical
Tilt steering	n.a.
Engine coolant temperature	LED warning light
ELECTRICAL AND SAFETY INTERLOCKS	
Diagnostics	Onboard diagnostics with the White Box Controller and Sit on Seat Diagnostics (SOS)
Safety interlock switches	Neutral start switch, operator presence switch (in seat), mow/transport switch, park brake set switch
DIMENSIONS AND WEIGHT	
Height with ROPS, in (cm)	82 (208.3)
Tread width, in (cm)	52 (132)
Mowing position width, in (cm)	72 or 84 (183 or 213)
Wheelbase, in (cm)	55 (140)
Turning radius, uncut circle, in (cm)	20 (50.8)
Length, in (cm)	93 (236)
Weight (full fluids, no operator, no fuel), 26 in units raised, kg (lb)	Full fluids, no operator, no fuel, 26 in units raised: 863.1 (1,903)
GROUND SPEED	
Mowing speed, km/h (mph)	0 – 8 (0 – 5)
Transport speed, km/h (mph)	0 – 13.7 (0 – 8.5)
Reverse speed, km/h (mph)	0 – 4.8 (0 – 3)
CUTTING UNITS	
Number	3 reel cutting units
Size, in (cm)	Quick Adjust QA7 26 (66) or QA7 30 (76)
Number of blades	5 or 8
Backlapping	Standard
Cutting Width, in (cm)	72 (183) with 26 in QA7 cutting unit; 84 (213) with 30 in QA7 cutting unit
FREQUENCY OF CLIP (FOC)	
5-blade cutting unit, in/mph (mm/kmh)	0.201 (3.17)
8-blade cutting unit, in/mph (mm/kmh)	0.126 (1.99)
Front rollers, in (cm)	3 (7.6) grooved, solid or spiral (Optional)
Reel diameter, in (cm)	7 (17.8)
Bedknife adjustment	Reel-to-bedknife

**7200A****PRECISIONCUT TRIM AND SURROUNDS MOWER****7400A****TERRAINCUT TRIM AND SURROUNDS MOWER****ENGINE**

Type	3-cylinder Indirect Inject Diesel	3-cylinder direct inject diesel (Stage III A) / 3-cylinder direct inject diesel, turbocharged (Stage V)
Maximum rated power per SAE J1995, kW (hp)	18.4 (24.7) at 3,000 rpm (Stage V)	27.3 (37.1) at 2,600 rpm (Stage III A) / 31 (42.1) at 2,800 rpm (Stage V)
Displacement, cu in (cc)	77.3 cu in (1,267 cm ³)	77.5 (1,267) (Stage III A) / 95.69 (1,568) (Stage V)
Air cleaner	2-stage dry element	2-stage dry element
Cooling system	Liquid centrifugal, pump; forward machine location for optimal cooling	Liquid centrifugal, pump; forward machine location for optimum cooling

VEHICLE

Traction drive	eHydro electronic-controlled hydrostatic pump to wheel motors with standard GRIP All Wheel Drive Traction System	eHydro electronic-controlled hydrostatic pump to wheel motors with standard GRIP All Wheel Drive Traction System
Cutting units drive pump	–	Gear
Reel drive pump	Gear	–
Hydraulic system capacity, ltr (gal)	37.8 (10)	45.4 (12)
Fuel tank capacity, ltr (gal)	45.4 (12)	45.4 (12)
Steering	Hydraulic power with double-acting steering cylinder	Hydraulic power with double-acting steering cylinder
Front drive tyres	24 × 12 – 12 turf trac	24 × 12 – 12 turf trac
Steering tyres	24 × 12 – 12 multi trac	24 × 12 – 12 multi trac
Ground pressure, psi	15 psi	14 psi
Brakes	Internal hydraulic wet disc brakes	Internal hydraulic wet disc brakes
ROPS with seat belts	Deluxe suspension seat with seat belts; ISO 21299 Standard pending	Standard; ISO 21299 Standard pending

CONTROLS ON

Width on demand	One touch switch	One touch switch
Front cutting units shift for trimming	Selector switch and extend/retract switch	Selector switch and extend/retract switch
Throttle	Hand throttle	Hand throttle
Mower lift	One-touch single handle	One-touch single handle
PTO	Electric switch on CommandARM	Electric switch on CommandARM
Ignition	Key start	Key start
Work lights	Switch on CommandARM	Switch on CommandARM
Instrument cluster	Machine warnings, onboard electrical diagnostics, service timers, settings for mow and transport speed, turn speed, loadmatch	Machine warnings, onboard electrical diagnostics, service timers, settings for mow and transport speed, turn speed, LoadMatch

OPERATOR ENVIRONMENT

Seat	Deluxe suspension seat with seat belts; fore/aft adjustment, weight and lumbar adjustment	Deluxe suspension seat with seat belts; fore/aft adjustment, weight and lumbar adjustment
Parking brake	Electric switch on CommandARM for internal wet disc brakes	Electric switch on CommandARM for Internal wet disc brakes
Tilt steering	Foot-operated	Foot-operated
Forward/reverse	Dual pedal	Dual pedal

DIMENSIONS

Height with ROPS, in (cm)	84 (213.4)	84 (213.4)
Length, in (cm)	133 (338)	133 (338)
Width, in (cm)	68 (173); 72 (183) width on demand	70.5 (179) with 68 (173) cutting width; 76.5 (194.3) with 74 (188) cutting width
Wheelbase, in (cm)	62 (157.5)	62 (157.5)
Mowing, km/h (mph)	0 – 10 (0 – 6)	0 – 10 (0 – 6)
Transport, km/h (mph)	0 – 14 (0 – 9)	0 – 14 (0 – 9)
Reverse, km/h (mph)	0 – 10 (0 – 6)	0 – 6.4 (0 – 5)
Weight, less operator, kg (lb)	1,039 (2,290) – cutting units lowered	1,216 (2,680) decks up; 1,016 (2,240) decks down (Stage III A) / 1,252 (2,760) decks up; 1,045 (2,305) decks down (Stage V)

MOWER

Number	3 reel cutting units	3 rotary decks; no tool-adjustment cutting height
Size, in (cm)	Quick Adjust QA7 26 (66) or QA7 30 (76)	27 (68.6)
Number of blades	5 or 8	1 per deck (in total 3)
Backlapping	Standard; pressure sensing flow compensation backlap valve for constant reel speed, manual reel speed adjustment	–
Width On Demand, in (cm)	68 (173) – 72 (183) with 26 in QA7 cutting unit; 80 (203) – 84 (213) with 30 in QA7 cutting unit	68 (173) or 74 (188); Width-on-Demand System
Cutting height, in (cm)	0.35 – 2.48 (0.9 – 6.3)	0.75 – 4 (1.9 – 10.2) no tool adjustment (Stage III A) / 1 – 4 (2.54 – 10.2) no tool adjustment, 0.25 (0.6) increments (Stage V)

FREQUENCY OF CLIP (FOC)

Five-blade cutting unit, in/mph (mm/kmh)	0.201 (3.17)	–
Eight-blade cutting unit, in/mph (mm/kmh)	0.126 (1.99)	–
Front rollers, in (cm)	3 (7.6) grooved, solid, or spiral (Optional)	–
Reel diameter in (cm)	7 (17.8)	–
Bedknife adjustment	Reel-to-bedknife	–



8800A

9009A

TERRAINCUT ROUGH MOWER**ENGINE**

Type	4-cylinder direct inject diesel (Stage III A) / Direct inject turbo charges diesel four-cylinder (Stage V)	Direct Inject Turbocharged Diesel 4 cylinder (Stage III B compliant)
Maximum rated power per SAE J1995, kW (hp)	36.2 (49.2) at 2,600 rpm (Stage III A) / 41.1 (55.9) at 2,800 rpm (Stage V)	41.1 (55.9) at 2,800 rpm (Stage V)
Displacement, cu in (cc)	134 (2,189) (Stage III A) / 127.06 (2,091) (Stage V)	127.6 cu in (2,091 cm ³)
Air cleaner	2-stage dry element	2-stage dry element
Cooling system	Liquid centrifugal, pump (Stage III A) / Liquid centrifugal, Pump – forward machine location for optimum cooling (Stage V)	Liquid centrifugal pump; forward machine location for optimum cooling

VEHICLE

Traction drive	eHydro electronic-controlled hydrostatic pump to wheel motors with standard GRIP All Wheel Drive Traction System (Stage III A) / eHydro electronic-controlled hydrostatic pump to wheel motors (Stage V)	eHydro servo controlled hydraulic traction pump
Deck drive pump	Tandem gear pump	Tandem gear pump
Deck drive	Direct-coupled hydraulic gear motor	Direct-coupled hydraulic gear motor
Hydraulic system capacity, ltr (gal)	45.4 (12)	45.4 (12)
Fuel tank capacity, ltr (gal)	61.7 (16)	60.6 (16)
Steering	Hydraulic power with dual rod, double-acting steering cylinder	Hydraulic power with dual rod, double acting steering cylinder
Front drive tyres	26 × 12 – 12 Multi Trac	26.5 × 12 – 12 Ultra Trac
Steering tyres	20 × 12 × 10 – 8 turf	20 × 12 × 10 – 8 turf
Ground pressure, psi	12 – 18 psi	12 – 18
Brakes	Internal hydraulic wet disc brakes	Internal hydraulic wet disc brakes with dynamic braking through closed loop hydrostatic system
ROPS with seat belts	Standard, ISO 21299	Standard, ISO 21299
Operating weight wet (cutting units raised), kg (lb)	1,542 (3,400)	1,814 (4,000)
Options available	Canopy, mulch blade, high lift blade, rear roller scraper	Canopy, mulch blade, high lift blade, rear roller scraper

CONTROLS ON OPERATOR COMMANDARM

Throttle	Hand control on operator control console (Stage III A) / No throttle lever; Automatic controls with AutoPedal foot controls; manual control through TechControl display (Stage V)	No throttle lever; Automatic controls with AutoPedal foot controls; manual control through TechControl display
Mower lift	One-touch single handle	One-touch single handle
PTO	Electric Switch on CommandARM for quick and easy transition from mow to transport	Electric Switch on CommandARM for quick and easy transition from mow to transport
4WD	Standard GRIP All Wheel Drive Traction System; always engaged in mow or transport	Standard GRIP All Wheel Drive Traction System; always engaged in mow or transport
Brakes	Electric Switch on CommandARM for Internal Wet Disc Brakes	Electric Switch on CommandARM for Internal Wet Disc Brakes

CONTROLS

Seat	Deluxe suspension	Air Ride Suspension seat with seat belts and arm rest; fore/aft adjustment; weight and lumbar adjustment
Parking brake	Electric Switch on CommandARM for Internal Wet Disc Brakes	Electric Switch on CommandARM for Internal Wet Disc Brakes
Tilt steering	Left Foot operated for easy adjustment	Left Foot operated for easy adjustment
Forward/reverse	Dual pedal	Dual pedal
Operator display	TechControl Display: Located on CommandARM; displays machine warnings, on-board electrical diagnostics; service timers on large easy to read screen; quick on-the-go settings for mow and transport speed; Turn Speed; Loadmatch and ON/OFF Weight Transfer and Cruise Control Use selection; Cutting unit drop rate adjustment; ALL settings are pass code protected	TechControl Display: Located on CommandARM; displays machine warnings, on-board electrical diagnostics; service timers on large easy to read screen; quick on-the-go settings for mow and transport speed; Turn Speed; Loadmatch and ON/OFF Weight Transfer and Cruise Control Use selection; Cutting unit drop rate adjustment; ALL settings are pass code protected

DIMENSIONS

Height with ROPS, in (cm)	87.4 (222)	87.4 (222)
Length, in (cm)	133 (338)	134 (339)
Width, in (cm)	87 (221)	90 (229)
Mowing width, in (cm)	88 (223)	108 (274)
Mowing, km/h (mph)	0 – 12.8 (0 – 8.0)	0 – 12.8 (0 – 8.0)
Transport, km/h (mph)	0 – 20.12 (0 – 12.5)	0 – 20.12 (0 – 12.5)
Reverse, km/h (mph)	0 – 6.4 (0 – 5)	0 – 6.4 (0 – 5)

CUTTING UNITS

Cutting deck width, in (cm)	21 (53.3)	27 (68.58)
Cutting height range, in (cm)	1 to 4 (2.54 to 10.2); no tool adjustment	0.75 - 4 (1.9- 10.2) no tool adjustment
Deck construction	Single 10-gauge steel stamped deck with front skid plate 1.5 in (38 mm) tall and 0.5 in (12.7 mm) thick steel stock welded to the decks edge.	Single 10-gauge steel stamped deck with front skid plate 1.5 in (38 mm) tall and 0.5 in (12.7 mm) thick steel stock welded to the decks edge.
Rear roller diameter, in (cm)	3 (7.6)	3 (7.62)
Front rollers, in (cm)	4 (10.2) diameter by 5 (12.7) wide	5 (12.70)



1550 1570 1575 1580 1585

TERRAIN CUT FRONT ROTARY MOWERS

ENGINE					
Type	3 cylinder Diesel	3 cylinder Diesel	3 cylinder Diesel	3 cylinder Diesel	3 cylinder Diesel
Maximum rated power per, SAE J1995, kW (hp)	17.8 (24.2) at 3,000 rpm (Stage V)	22.7 (30.9) at 3,000 rpm (Stage III A) / 27.5 (37.4) at 2,800 rpm (Stage V)	22.7 (30.9) at 3,000 rpm (Stage III A) / 27.5 (37.4) at 2,800 rpm (Stage V)	28.1 (38.2) at 3,000 rpm (Stage III A) / 27.5 (37.4) at 2,800 rpm (Stage V)	28.1 (38.2) at 3,000 rpm (Stage III A) / 27.5 (37.4) at 2,800 rpm (Stage V)
Displacement	77 cu / 1,260 ccm	100.2 cu in (1,642 cm ³)	100.2 cu in (1,642 cm ³)	100.2 cu in (1,642 cm ³)	100.2 cu in (1,642 cm ³)
Injection	indirect	direct	direct	direct	direct
Transmission	Hydrostatic	Hydrostatic	Hydrostatic	Hydrostatic	Hydrostatic
Traction Drive	Single Speed 4WD	Single Speed 4WD	Single Speed 4WD	Two speed 4WD	Two speed 4WD
Differential Lock	Standard	Standard	Standard	Standard	Standard
Vehicle Speed Forward; km/h (mph)	0 – 19.3 (0 – 12)	0 – 19.3 (0 – 12)	0 – 19.3 (0 – 12)	Low = 0 – 13.7 (0 – 8.5) High = 0 – 24.1 (0 – 15)	Low = 0 – 13.7 (0 – 8.5) High = 0 – 24.1 (0 – 15)
Vehicle Speed Reverse km/h (mph)	0 – 8 (0 – 5)	0 – 8 (0 – 5)	0 – 8 (0 – 5)	0 – 5 (0 – 8)	0 – 5 (0 – 8)
Front Tyres	23 × 10.5 – 12	23 × 10.5 – 12	23 × 10.5 – 12	26 × 12.0 – 12	26 × 12.0 – 12
Rear Tyres	18 × 8.5 – 10	18 × 8.5 – 10	18 × 8.5 – 10	20 × 10.0 – 10	20 × 10.0 – 10
Brake Type	Internal wet disc	Internal wet disc	Internal wet disc	Internal wet disc	Internal wet disc
Park brake	Yes	Yes	Yes	Yes	Yes
Turning brakes	Standard	Standard	Standard	Standard	Standard
Power Take Off	Front	Front	Front	Front	Front
PTO Clutch	Wet multi-disc, modulated	Wet multi-disc, modulated	Wet multi-disc, modulated	Wet multi-disc, modulated	Wet multi-disc, modulated
Power Steering	Standard	Standard	Standard	Standard	Standard
Comfort	Tilt steering wheel	Tilt steering wheel	Tilt steering wheel	Tilt steering wheel	Tilt steering wheel
ComfortCab	No	No	Yes	No	Yes
GLC1500 Collector	No	Yes – 600 ltr capacity	No	Yes – 600 or 900 ltr capacity	Yes – 600 or 900 ltr capacity
DIMENSION					
Ground clearance, in (mm)	6.5 (165)	6.5 (165)	6.5 (165)	7.8 (199)	7.8 (199)
Height with ROPS, in (mm)	83.5 (2,121)	83.5 (2,121)	N/A as cab standard	84.8 (2,155)	N/A as cab standard
Height with ROPS folded, in (mm)	58.8 (1,494)	58.8 (1,494)	N/A as cab standard	60.3 (1,532)	N/A as cab standard
Height with cab, in (mm)	N/A	N/A	83.7 (2,127)	N/A	85.2 (2,164)
Overall length without mower deck, in (mm)	87.3 (2,218)	87.3 (2,218)	87.3 (2,218)	87.3 (2,218)	87.3 (2,218)
Overall width of power unit, in (mm)	51.7 (1,314)	51.7 (1,314)	51.7 (1,314)	55.5 (1,410)	58 (1,475)
Wheelbase, in (mm)	49.2 (1,250)	49.2 (1,250)	49.2 (1,250)	49.2 (1,250)	49.2 (1,250)
Weight (without mower deck and fuel), kg (lb)	832 (1,835)	889 (1,960)	1,105.5 (2,435)	962 (2,120)	1,177 (2,595)



1600T SERIES III

WIDE-AREA ROTARY MOWER

ENGINE	
Type	4 cylinder Diesel, 4 cycle, inline, turbocharged (Stage III B)
Rated Engine kW (hp), gross SAE J1995	44 (60) at 3,000 rpm (Stage V)
Max. torque (Nm) at rpm	159 Nm (117.3 lb-ft) at 3,000 rpm
Displacement	127.6 cu in (2,091 cm ³)
Injection type	Direct injection diesel
Air Cleaner	Dual-element dry type
Fuel Tank Capacity, ltr	83.3
TRANSMISSION	
Hydrostatic, wheel motors	
TRAVEL SPEEDS (INFINITE)	
Forward Max, km/h (mph)	24 (15)
Forward Low range, km/h (mph)	14.5 (9)
Speed and Direction Control	Two pedal
Brakes	Internal wet disc – steering brakes standard
4WD	On demand and full time – forward only
Differential lock	Standard – foot activated
Weight transfer	No
DIMENSIONS	
Vehicle Height w ROPS, in (m)	98 (2.49)
Vehicle height with ROPS folded, in (m)	74 (1.88)
Overall Length with mowing decks, in (m)	132 (3.35)
Ground Clearance, in (cm)	6.5 (16.5)
Wheelbase, in (m)	60 (1.52)
WEIGHT	
Weight including deck(s) with ROPS, kg (lb)	2,109 (4,650)
TYRES	
Front	26 × 12-12
Rear	18 × 9.5-8
SEAT	
Comfort Seat, air ride seat standard	

**800****WALK-BEHIND AERCORE**

ENGINE	
Type	4 cycle unleaded petrol with electric starter and 1 dual element air filter
Horsepower, kW (hp)	18.6 (25)* at 3,600 rpm
Displacement	44.2 cu in (725 cc)
Fuel Capacity	18.9 ltr (4.163 gal)
Fuel Type	regular unleaded
CORING	
Transmission (Coring)	Mechanical 1st, 2nd, 3rd and 4th gear
Transmission (Transport)	Transport 5.6 km/h (3.5 mph)
Coring Head Drive	Matched dual v-belts
Lift System	Electro-hydraulic, electric pump, single hydraulic
Width	31.5 in (80 cm)
Depth	Up to 3.5 in (88.9 mm)
1st gear coring pattern	1.4 x 1.4 in w/mini tines, (36 x 36 mm)
2nd gear coring pattern	2.0 x 2.0 in (50 x 50 mm)
3rd gear coring pattern	2.6 x 2.0 in (65 x 50 mm)
4th gear coring pattern	2.9 x 2.0 in (75 x 50 mm)
PRODUCTIVITY	
1st gear	11,025 sq ft/hr, 1,024 sq m/hr
2nd gear	15,750 sq ft/hr, 1,440 sq m/hr
3rd gear	20,710 sq ft/hr, 1,933 sq m/hr
4th gear	22,835 sq ft/hr, 2,123 sq m/hr
Weight	1,312 lb (595 kg)
Height	44 in (1,110 mm)
Width	58 in (1,473 mm)
Length	84 in (2,134 mm)

* Engine horsepower and torque information are provided by the engine manufacturer to be used for comparison purposes only. Actual operating horsepower and torque will be less. Refer to the engine manufacturer's web site for additional information.

1000**MOUNTED AERATORS**

MACHINE			
Coring width, in (cm)	37.5 (101.6)	57.5 (152.4)	77.5 (190.6)
Coring depth, in (mm)	Up to 4 (100)	Up to 4 (100)	Up to 4 (100)
Coring pattern Option 1, in (mm)	Variable 2.4 x 2.0 - 5.0 (61 x 51 - 127) with 4X tine holders	Variable 2.4 x 2.0 - 5.0 (61 x 51 - 127) with 4X tine holders	Variable 2.4 x 2.0 - 5.0 (61 x 51 - 127) with 4X tine holders
Coring pattern Option 2, in (mm)	Variable 3.2 x 2.0 - 5.0 (81.3 x 50 - 125) with 3X tine holders	Variable 3.2 x 2.0 - 5.0 (81.3 x 50 - 125) with 3X tine holders	Variable 3.2 x 2.0 - 5.0 (81.3 x 50 - 125) with 3X tine holders
PRODUCTIVITY			
2.4 x 2.0 in (61 x 50 mm), sq ft/hr (sq m/hr)	20,013 sq ft/hr (1,859 sq m/hr)	30,020 sq ft/hr (2,789 sq m/hr)	40,026 sq ft/hr (3,718 sq m/hr)
2.4 x 2.5 in (61 x 64 mm), sq ft/hr (sq m/hr)	25,016 sq ft/hr (2,324 sq m/hr)	37,525 sq ft/hr (3,486 sq m/hr)	50,032 sq ft/hr (4,608 sq m/hr)
2.4 x 3.0 in (61 x 76 mm), sq ft/hr (sq m/hr)	30,020 sq ft/hr (2,789 sq m/hr)	45,030 sq ft/hr (4,183 sq m/hr)	60,040 sq ft/hr (5,578 sq m/hr)
2.4 x 4.0 in (61 x 101 mm), sq ft/hr (sq m/hr)	40,026 sq ft/hr (3,718 sq m/hr)	60,039 sq ft/hr (5,578 sq m/hr)	80,052 sq ft/hr (7,436 sq m/hr)
2.4 x 4.38 in (61 x 111 mm), sq ft/hr (sq m/hr)	43,795 sq ft/hr (4,069 sq m/hr)	65,693 sq ft/hr (6,102 sq m/hr)	87,590 sq ft/hr (8,138 sq m/hr)
2.4 x 5.0 in (61 x 127 mm), sq ft/hr (sq m/hr)	50,033 sq ft/hr (4,648 sq m/hr)	75,049 sq ft/hr (6,972 sq m/hr)	100,066 sq ft/hr (9,296 sq m/hr)
TINE SIZES, TUBULAR			
Option 1, in (mm)	1 (25.4)	1 (25.4)	1 (25.4)
Option 2, in (mm)	3/4 (19)	3/4 (19)	3/4 (19)
Option 3, in (mm)	5/8 (16)	5/8 (16)	5/8 (16)
Option 4, in (mm)	1/2 (12.7)	1/2 (12.7)	1/2 (12.7)
Option 5, in (mm)	3/8 (10)	3/8 (10)	3/8 (10)
TINE SIZES, OPEN SIDE			
Option 1, in (mm)	1 (25.4)	1 (25.4)	1 (25.4)
Option 2, in (mm)	7/8 (22.23)	7/8 (22.23)	7/8 (22.23)
Option 3, in (mm)	13/16 (20.64)	13/16 (20.64)	13/16 (20.64)
Option 4, in (mm)	3/4 (19)	3/4 (19)	3/4 (19)
Option 5, in (mm)	5/8 (16)	5/8 (16)	5/8 (16)
Option 6, in (mm)	1/2 (12.7)	1/2 (12.7)	1/2 (12.7)
Option 7, in (mm)	3/8 (10)	3/8 (10)	3/8 (10)
Option 8, in (mm)	1/4 (6.35)	1/4 (6.35)	1/4 (6.35)
TINE SIZES, SOLID			
Option 1, (mm)	Needle tines - 5 and 8	Needle tines - 5 and 8	N/A
Option 2, in (mm)	5/8 (16)	5/8 (16)	5/8 (16)
Option 3, in (mm)	3/8 (10)	3/8 (10)	3/8 (10)
Option 4, in (mm)	Cross with 1/2 (12.7) rib	Cross with 1/2 (12.7) rib	Cross with 1/2 (12.7) rib
Option 5, in (mm)	Super Cross with 3/4 (19) rib	Super Cross with 3/4 (19) rib	Super Cross with 3/4 (19) rib
DIMENSIONS			
Weight, kg (lb)	392 (865)	499 (1,100)	772 (1,728)
Height, in (mm)	39 (990)	39 (990)	39 (990)
Width, in (mm)	45.7 (1,160)	65.5 (1,662)	85.7 (2,177)
Length, in (mm)	33 (845)	33 (845)	33 (845)

**TC125****COLLECTION SYSTEM**

MACHINE INFORMATION	
Vehicle requirements	Powered by either a compact utility tractor or HDUV with a selective control valve (SCV). Hydraulic requirements – 6 gpm (23 Lpm), 2,000 psi (13.8 mPa) minimum continuous
Gathering width, in (cm)	48 (121.9)
Hopper capacity, cu ft (m³)	25 (0.71)
Hitch	Attaches with standard 3/4 in (19 mm) hitch pin
Offset towing feature	Allows the unit to be towed directly behind or offset to the left side of the vehicle. Easily performed while operator remains seated.
Hydraulic collection	3 quick-disconnect couplers (2 rotary brush, 1 lift cylinder)
Lift	Hydraulic-powered lift cylinder for dumping
Pick-up system	Hydraulic-powered rotary brush
Brush speed, rpm	500–600, direct drive hydraulic motor
Rollers, in (cm)	Brush aggressiveness and flotation is controlled by a 6 (15.24) diameter full-width roller directly behind the rotary brush. The roller height can be adjusted to accommodate the turf conditions and degree of brush wear.
Productivity	Clears an average green in 15 minutes
Tyres	26.5 × 14 – 12
DIMENSIONS	
Height, in (cm)	64 (162.5) lowered; 145 (368) raised
Length, in (cm)	138 (350.5)
Width, in (cm)	94 (238.7)
Weight, kg (lb)	578 (1,250)
Dump height clearance, in (cm)	49 (120)

**TD100****COLLECTION SYSTEM**

MACHINE INFORMATION	
Vehicle requirements	Powered by a HDUV with a selective control valve (SCV). Hydraulic requirements – 6 gpm (23 Lpm), 2,000 psi (13.8 mPa) minimum continuous
Drive	Hydraulic motor, based on ProGator engine rpm; controlled by ProGator auxiliary hydraulic control operated from drivers seat
Lift	using ProGator auxiliary hydraulic kit, operated from drivers seat
Mounting	two pins at rear, one pin at lift cylinder
HOPPER	
Rated capacity	max 680 kg / 1,500 lb level 0.35 m³ / 12 cu ft heaped 0.54 m³ / 19 cu ft
Size	Top: 146 × 91 cm / 57.625 × 36 in Bottom: 146 × 61 cm / 57.625 × 24 in Depth 40.6 cm / 16 in
Spread width	142 cm / 56 in
Material	Galvanized Steel
CONVEYOR BELT	
Material	Nylon/polyester cord, textured, rubber coating
Construction	endless belt
Width, in (cm)	56/142
BRUSH	
Material	Polypropylene
Diameter	9 in / 22.9 cm
Speed of rotation	190 (motor at 44) rpm
METERING	
Type	fixed-speed belt, adjustable metering gate
Metering gate adjustment	infinite 0–3 in height (0–7.62 cm)
Controls	two hand levers, one to adjust, one to lock
DIMENSIONS	
Height, in (cm)	25 (63.5)
Length, in (cm)	51.5 (131)
Width, in (cm)	64.5 (164)
Overall height mounted on vehicle	51 (129.5)
Weight, kg (lb) empty	311 (685)
Shipping Weight, kg (lb)	367 (810)



1200A

1200H

BUNKER AND FIELD RAKE**ENGINE**

Type	4-cycle, air-cooled	4-cycle, air-cooled
Maximum rated power, kW (hp)*	10.1 (13.5) at 3,600 rpm	11.9 (16) at 3,600 rpm
Cubic capacity, cc	401 / 24.5	480 / 29.3
Compression ratio	8.4:1	8.5:1
Lubrication	Full-pressure lubrication	Full-pressure lubrication
Oil filter	Standard	Standard
Spark arrester muffler	Standard	Standard
Idle speed, rpm	1,175 ± 75 low speed 3,100 ± 75 fast speed	low speed 1,750 rpm fast idl (low load) 3,100 rpm

ELECTRICAL SYSTEM

Type	12 volt, 13-amp regulated	12 volt, 20 amp
Battery	12 volt, 38-amp hour	12 volt, 500 CCA
Starter	Electric	Electric
Ignition	Transistor type	Transistor type
Light kit	Available	Available

FUEL SYSTEM

Tank capacity, ltr (gal)	13.6 (3.6)	14.8 (3.9)
Fuel pump	Diaphragm type	Diaphragm type
Fuel required	Regular leaded or unleaded petrol	Regular unleaded petrol

TRANSMISSION

Type	Belt-driven torque converter with Kanzaki gear-driven transaxle	Hydrostatic w 3 hydraulic motors
Fluid capacity, ltr (gal)	2.3 (0.52)	12.2 (3.2)

TRAVEL SPEED

Forward, km/h (mph)	Variable, 0 – 20.3 (0 – 12.6)	0 – 16.9 (0 – 10)
reverse, km/h (mph)	Variable, 0 – 20.3 (0 – 12.6)	0 – 6 (0 – 4)

BRAKES

Type	Mechanically operated disc with parking brake	Dual rear wheel parking brakes; dynamic braking provided by closed loop hydrostatic powertrain
------	---	--

TYRES

Front	One 22.5 × 10 – 8, 2 PR high flotation	One 22 × 11 × 8 NHS 34.5 kPa – 5 psi
Rear	Two 25 × 12 – 9, 2 PR high flotation	Two 22 × 11 × 8 NHS 34.5 kPa – 5 psi

DIMENSIONS

Width, in (cm)	58 (147)	73.5 (187)
Height, in (cm)	41 (104)	45 (114)
Length, in (cm)	66 (168)	85 (216)
Wheelbase, in (cm)	41.5 (105)	47 (119)
Ground clearance at rake attachment, in (mm)	9.5 (241)	9.5 (241)
Turning radius, in (mm)	12 (305)	0
Weight (approx.), kg (lb)	263 (580)	404 (890)
Rear-hitch towing capacity, kg (lb)	227 (500)	N/A

* Engine horsepower and torque information are provided by the engine manufacturer to be used for comparison purposes only. Actual operating horsepower and torque will be less. Refer to the engine manufacturer's website for additional information.



	TX/TX TURF	TE	HPX 815E	TH 6X4
	T-SERIES / WORK SERIES		WORK SERIES	T-SERIES / WORK SERIES
ENGINE				
Type	675 cc / 401 cc, 2-Cylinder / 1-Cylinder, 4-Cycle Petrol	48 VDC Separately Exited, Electric	854 cc, 3-Cylinder, 4-Cycle, Diesel	854 cc, 3-Cylinder, 4-Cycle, Diesel
Power kW (hp) at min ⁻¹	12.5 (16.8) at 3,200 rpm / 8 (10.9) at 3,250 rpm 98 / 67 / EC	48 V with 8 Trojan T-145 Batteries	13.6 (18.5) at 3,400 ECE-R24	13.6 (18.5) at 3,400 rpm ECE-R24
Cooling System	Air	NA	Liquid	Liquid
Fuel Tank, ltr	18.9	NA	20.1	18.9
POWER STEERING				
	NA	NA	NA	NA
4-WHEEL DRIVE				
	No	No	Yes	Yes
DRIVE SYSTEM				
Type	CVT (Continuously Variable Transmission)	NA	2-speed CVT (Continuously Variable Transmission)	CVT (Continuously Variable Transmission)
Ground Speed, km/h*	0–32 Forward / 0–25 Forward	0–24 Forward	0–40 Forward	0–32 Forward
Differential Lock	Standard, Hand-Operated		Auto-Locking (Front) / Positive Locking, Mechanically Actuated-Hand-Operated (Rear)	Standard, Hand-Operated
Brakes	All-Wheel Hydraulic Disc	Dual Rear Wheel Mechanical Drum	Front / Rear Hydraulic Disc	Wet Disc in Transaxle
Suspension, Front	Independent Spring-Over-Shock, Single A-Arm	Independent Spring-Over-Shock, Single A-Arm	Independent with McPherson Strut	Independent Spring-Over-Shock, Single A-Arm
Suspension, Rear	Semi-Independent Coil-Over-Shock	Two High-Flotation Tyres, Low Pressure Tyres (Solid Axle)	Coil-Over-Shock	Two High-Flotation Tyres, Low Pressure Tyres (Solid Axle)
Suspension Travel, mm	127 Front & 76 Rear	127 Front	131 Front & 90 Rear	127 Front
DIMENSIONS				
Dimensions (W × L × H), mm	1,525 × 2,847 × 1,108 / 1,525 × 2,847 × 1,209	1,525 × 2,728 × 1,130	1,506 × 2,870 × 1,867	1,525 × 2,754 × 1,108
Weight (Including Fluids), kg	508 / 501	667 w / Batteries	693	630
Towing Capacity, kg	454	273	590	726
Payload Capacity, kg	454	409	635	726
GROUND CLEARANCE				
	Under Transaxle: 145 Under Foot Platform: 270	Under Foot Platform: 185	Under Transaxle: 152 Under Foot Platform: 305	Under Transaxle: 165 Under Foot Platform: 216
DELUXE CARGO BOX				
Type / Material	Deluxe (Polypropylene Side Panels and Tailgate; Steel Floor and Load Guard)	Deluxe (Polypropylene Side Panels and Tailgate; Steel Floor and Load Guard)	Deluxe (Polypropylene Side Panels and Tailgate; Steel Floor and Load Guard)	Deluxe (Polypropylene Side Panels and Tailgate; Steel Floor and Load Guard)
Dimensions (L × W × D), mm	1,143 × 1,320 × 305	1,143 × 1,320 × 305	1,116 × 1,244 × 229	1,143 × 1,320 × 305
Volume, ltr	460	460	320	460
Capacity, kg	272	227	454	544
TYRES				
Front	22 × 9.5–10, 4 PR Cayman AT (All Terrain – Only Available on TX) 22 × 9.5–10, 4 PR Cayman Turf 22 × 9.5–10, 4 PR Cayman XT (Xtreme Terrain – Only Available on TX)	22 × 9.5–10, 4 PR Cayman Turf	24 × 9.5–10, 4 PR High Performance All Purpose (HPAP) 24 × 9.5–10, 4 PR High Performance All Terrain (HPAT) 24 × 9.5–10, 4 PR Turf	22.5 × 10–8, 4 PR Cayman KT (Knobby) 22.5 × 10–8, 4 PR Cayman Turf 22.5 × 10–8, 4 PR Cayman AT (All Terrain)
Rear	24 × 10.5–10, 4 PR Cayman AT (All Terrain – Only Available on TX) 24 × 12–10, 4 PR Cayman Turf 24 × 12–10, 4 PR Cayman XT (Xtreme Terrain – Only Available on TX)	24 × 12–10, 4 PR Cayman Turf	24 × 10.5–10, 4 PR High Performance All Purpose (HPAP) 24 × 12–10, 4 PR High Performance All Terrain (HPAT) 24 × 12–10, 4 PR Turf	25 × 12–9, 4 PR Cayman KT (Knobby) 25 × 12–9, 4 PR Cayman Turf 25 × 13–9, 4 PR Cayman AT (All Terrain)
Colours	Green & Yellow	Green & Yellow	Green & Yellow	Green & Yellow
Seating Capacity	2	2	2	2

* Homologation type and speed may vary by country. Please refer to your dealer.

**PROGATOR 2030A****HEAVY DUTY WORK SERIES**

ENGINE	
Type	1,267 cc, 3-Cylinder, Diesel
Power kW (hp) at min ⁻¹	17.8 (24.2) at 3,200
Valves	Overhead
Lubrication	Full pressure
Cooling System	Liquid
Air filter	Replaceable dual dry-type
Air Filter restriction indicator	Standard
Fuel Tank, ltr	30.3
POWER STEERING	
	Yes
4-WHEEL DRIVE	
	Yes, Optional
DRIVE SYSTEM	
Type	5-speed Synchronmesh with Five Forward Gears and One Reverse Gear
Ground Speed, km/h*	0 – 31 Forward
Differential Lock	Standard, Hand-Operated/
Brakes	4-wheel hydraulic drum
Suspension, Front	Dual Leaf Springs and Shocks
Suspension, Rear	Dual Leaf Springs and Shocks
Suspension Travel, mm	–
DIMENSIONS	
Dimensions (W × L × H), mm	1,586 × 3,285 × 1,936
Weight (Including Fluids, standard suspension), kg / lb – 2WD	856 (Base Maschine, No Driver, No Passenger, No Loaded Attachment)
Weight (Including Fluids, standard suspension), kg / lb – 4WD	915 / 2,017
Towing Capacity, kg	680 / 1,500
Payload Capacity, kg / lb 2wd standard suspension	1,594 / 3,514
Payload Capacity, kg / lb 4wd standard suspension	1,535 / 3,384
GROUND CLEARANCE	
	Under Transaxle: 168
DELUXE CARGO BOX	
Type / Material	Steel
Dimensions (L × W × D), mm	1,600 × 1,283 × 267
Volume, ltr	550
Capacity, kg	907
TYRES	
Front	23 × 10.50 – 12, 4 PR Industrial Trax 23 × 10.50 – 12, 4 PR Smooth Tyres
Rear	26 × 12.00 – 12, 4 PR MultiTrac C/S 26 × 14.00 – 12, 4 PR MultiTrac C/S 26 × 14.00 – 12, 4 PR Smooth Tyres 26 × 14.00 – 12, 4 PR Fairway Tyres
Colours	Green & Yellow
Seating Capacity	2

* Homologation type and speed may vary by country. Please refer to your dealer.

MACHINE INFORMATION

Vehicle requirements

SPRAYER

Tank
Frame
Capacity gross, ltr (gal)
Capacity rated, ltr (gal)
Agitation

Pressure/flow regulator
Filter
Boom shutoff valves
Throttling valves

RINSE TANK

Capacity gross, ltr (gal)
Capacity rated, ltr (gal)

DIAPHRAGM PUMP

Number of diaphragms
Lubrication
PTO
Max flow, ltr/min (gal/min)
Max pressure, psi (bar)
Relief pressure, psi (bar)

AUTOMATIC RATE CONTROLLER

Type
Switches on control box

Pressure sensor, psi (bar)
Gauges

Rate control

BOOMS

Construction
Number of sections
Breakaway
Boom height
Lift systems
Width, ft (m)
Nozzle configuration
Shut Off

FOAM MARKER

Type
Pump
Rate

MOUNTING

Type
Removal

Storage

DIMENSIONS (18-FT BOOM)

Boom height (wings raised), in (cm)
Boom width (wings raised), in (cm)
Boom width (wings lowered), in (cm)

DIMENSIONS (15-FT/21-FT BOOM)

Boom height (wings raised and extensions folded), in (cm)
Boom width (wings raised and extensions folded), in (cm)
Boom width (wings raised), in (cm)
Boom width (wings lowered and extensions folded), in (cm)
Boom width (wings lowered and extensions extended), in (cm)



HD200 SELECTSPRAY

SPRAYER

Powered by HDUV ProGator 2030 with a selective control valve (SCV). Hydraulic requirements – 6 gpm (23 Lpm), 2,000 psi (13.8 mPa) minimum continuous, mirror kit, Throttle/Governor control kit; need to be ordered separately

High density polyethylene

Welded steel

757 (200)

700 (185)

Standard intense jet agitation with several arigation nozzles, adjusted by proportional control valve; 7.9 mm / 0.313 (5/16) in orifice

Electric

100 mesh, self-cleaning

Electric

Standard; adjustable

75 (20)

70 (18.5)

3

Oil

Hydraulically driven motor

113.9 (30.1)

290 (20)

200 (13.8)

Weather-resistant control box with electronic control switches and digital pressure display; removable without tools for storage

Individual boom on/off, boom master, foam marker, boom lift/lower, pressure increase/decrease, auto/manual

363 (25)

Digital speed, digital pressure, digital tank sight gauge and digital flow rate on rate controller screen

Constant pressure or constant flow

Heavy duty 14-gauge square tubing

3

Bidirectional

Adjustable

Electro-hydraulic standard

18 (5.5) or 15 (4.6) / 21 (6.4)

Triple-nozzle bodies on 20 in (50 cm) spacing section

Electric

Individual air and liquid pumps, solution mixes at foamer head

Adjustable with no tools by turning rotary knob on foamer box

3-pin sprayer to frame

3 pins, disconnect three electrical connectors, two hydraulic lines for easy removal with no tools

Optional storage stands

99 (228)

71 (180)

203 (514)

70 (178)

96 (244)

99 (252)

188 (478)

242 (615)



HD200 GPS PRECISIONSPRAY

SPRAYER

MACHINE INFORMATION

Vehicle requirements

Powered by HDUV ProGator 2030, 17.6 kW (23.6 hp) 1115 diesel engine, with a selective control valve (SCV). Hydraulic requirements – 6 gpm (23 Lpm), 2,000 psi (13.8 mPa) minimum continuous, mirror kit, Throttle/Governor control kit, roof kit w rear panel, 4WD, Fairway Rear Tyres, Standard Turf Front Tyres, Heavy Duty suspension kit, 4 post ROPS, pre-wired ready to spray

SPRAYER

Tank

High density polyethylene

Frame

Welded steel

Capacity gross, ltr (gal)

757 (200)

Capacity rated, ltr (gal)

700 (185)

Agitation

Standard intense jet agitation with several arigation nozzles, adjusted by proportional control valve; 7.9 mm / 0.313 (5/16) in orifice

Pressure/flow regulator

Electric

Filter

100 mesh, self-cleaning

Boom shutoff valves

Electric

Throttling valves

Standard; adjustable

Clean Water Tank

integrated, 15 litre (4 gallons)

Foamer Soap Tank

integrated, 15 litre (4 gallons)

RINSE TANK

Capacity gross, ltr (gal)

75 (20)

Capacity rated, ltr (gal)

70 (18.5)

DIAPHRAGM PUMP

Number of diaphragms

3

Lubrication

Oil

PTO

Hydraulically driven motor

Max flow, ltr/min (gal/min)

113.9 (30.1)

Max pressure, psi (bar)

290 (20)

Relief pressure, psi (bar)

200 (13.8)

CONTROL SYSTEM

Display

John Deere 4240 Universal Display

Reciever

John Deere Star Fire 6000 Reciever

Steering System

John Deere AutoTrac ATU 300 Universal

Rate Controller

John Deere Green Stare Rate Control GRC

Celluar Modem

John Deere Yukon 4G

Pressure Sensor

WIKA

Pressure Sensor Spec

25 bar max; 18.4 mV/PSI 1/4; NTP Thread

Flowmeter

ARAG 2660-0069

Flowmeter spec

Paddle 1.3 - 26 GPM (5-100 L/min); 290 max PSI (20 bar); ARAG 4 bolt pattern; typical calibration 2,365 pulses/gallon

Rate control

Constant pressure or constant flow

BOOMS

Construction

Heavy duty 11-gauge square tubing w blach powdercoat

Number of sections

3

Breakaway

Bidirectional

Boom height

Adjustable

Lift systems

Electro-hydraulic standard

Width, ft (m)

18 (5.5)

Nozzle configuration

Triple-nozzle bodies on 20 in (50 cm) spacing

Shut Off

individual nozzlw shut of

Max Operation Pressure (plumbing) psi (bar)

150 (10.3)

FOAM MARKER (Optional)

Type

Electric

Pump

Individual air and liquid pumps, solution mixes at foamer head

Rate

Adjustable with no tools by turning rotary knob on foamer box

MOUNTING

Type

3-pin sprayer to frame

Removal

3 pins, disconnect three electrical connectors, two hydraulic lines for easy removal with no tools

Storage

Optional storage stands

DIMENSIONS (18-FT Boom)

Boom height (wings raised), in (cm)

94 (239)

Boom width (wings raised), in (cm)

71 (180)

Boom width (wings lowered), in (cm)

209 (531)

Weight boom empty kg (lb)

95 (210)

Nozzle count

11

Nozzle turret Capacity

3

TRUSTED BY THE BEST COURSES ON EARTH



This literature has been compiled for worldwide circulation. While general information, pictures and descriptions are provided, some illustrations and text may include finance, credit, insurance, product options and accessories not available in all regions. Please contact your local dealer for details. John Deere reserves the right to change specification and design of products described in this literature without notice. The green and yellow colour scheme, the leaping deer logo and the JOHN DEERE word mark are trademarks of Deere & Company.



OFFICIAL
GOLF COURSE
EQUIPMENT
SUPPLIER

